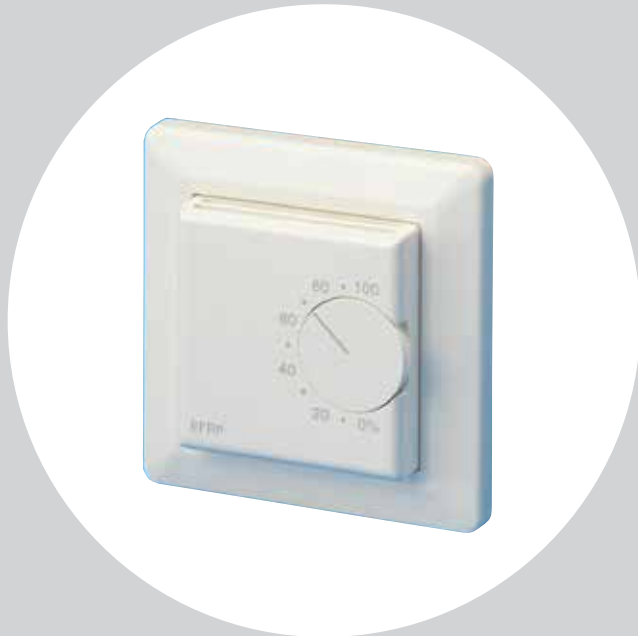


Stylish Remote Controller



EFRP-900

- Potentiometer

EFRP-900 is a potentiometer for the remote control of temperature set-points, damper position, etc.

EFRP-900 is designed to fit several European frame systems and is supplied as standard with an ELKO frame. Settings can thus be remotely controlled without unsightly installations.

The clearly visible 0-100% scale makes it easy for users to find the correct setting, and the basic setting is not affected.

EFRP-900 is designed to provide our customers with an advantageous combination of high quality, modern design and low life-cycle costs.

EFRP-900 FUNCTION

Wall-mounted Potentiometer

Thanks to its stylish design, the EFRP-900 blends in well in any office environment. The enclosure matches most commonly-used European installation materials.

Clear Settings

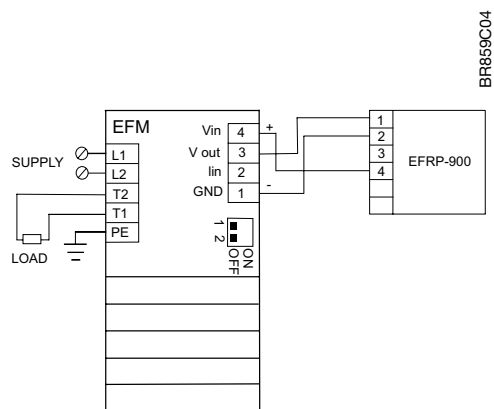
The dial is easily turned and the scale is clearly visible, making the EFRP-99 an extremely user-friendly product.

Adapted to Standard Power Controllers

EFRP-900 is part of the OJ Electronics range of power controllers for the remote setting of a desired output.

Inverted Function

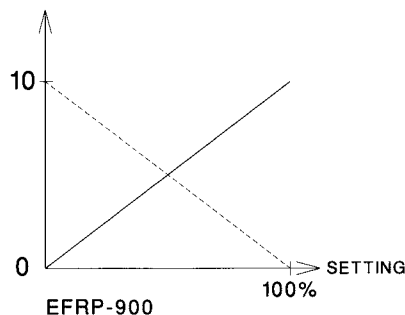
By repositioning jumpers inside the EFRP-900, the 0-10V DC output can be changed to 10-0V DC. This may be useful for controlling a damper or valve that is normally open.



Wiring

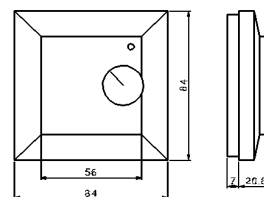
BR859C04

OUTPUT
 SIGNAL
 Y(VDC)

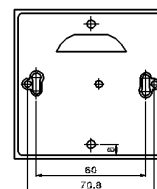


Function diagram

BR859A11



BR829A04



Dimensions

INSTALLATION

Physical Installation

EFRP-900 is mounted on a wall or on the door of an electrical cabinet in a standard office environment. It is secured to the underlying surface by two screws through the backplate.

Control Signal Cable Installation

The control signal cable to the external controller may be up to 50 m in length. It must be kept separate from mains-carrying cables as voltages may be produced that can damage the controller.

The control signal cable need not be screened, but the use of screened cable increases controller resistance to interference. The screen must be connected direct to an earth terminal.

PRODUCT PROGRAMME

TYPE	PRODUCT
EFRP-900	Wall-mounted potentiometer (0-100%)

TECHNICAL DATA

Supply voltage	14-24V DC or 24V AC \pm 10%, 50/60Hz
Scale signal	0-100%
Outputs	0-10V DC, max. 2mA
Ambient temperature	-10/+50°C
Dimensions (W/D/H)	84 x 27.8 x 84 mm
Enclosure	IP30
Weight	86 g

CE marking

EFRP-900 meets the requirements contained in the following standards:

- EMC Directive
- EN 50081-1
- EN 50082-2