

INSTRUCTIONS

OJ Air2 Fan IO21



67168B 03/20 - (OSH)



- English
- Deutsch
- Français
- Svenska
- Norsk
- Dansk

English

LIST OF FIGURES

The following figures are located at the back of the instructions:

- Fig. 1: OJ Air2 Fan IO21 outline showing electrical connections and pressure tubes
- Fig. 2: Configuration example
- Fig. 3: Dimensioned drawing
- Fig. 4: Connection of pressure tubes
- Fig. 5: Connection of Modbus and EC/FC
- Fig. 6: Electrical connection of actuators
- Fig. 7: External supplementary power supply
- Fig. 8: Electrical connection of EC/FC
- Fig. 9: Wire layout in connectors "C", "D", "E" & "F"
- Fig. 10: Complete configuration (example)
- Fig. 11: Modbus addressing overview
- Fig. 12: Supported Modbus commands (holding registers)
- Fig. 13: Supported Modbus commands (input registers)

INTRODUCTION

OJ Air2 Fan IO21 is an input/output module with RS-485 RTU Modbus communication specially designed for installation inside an air handling unit. OJ Air2 Fan IO21 has been specially developed for connection and control of Direct Modbus controlled actuators, damper motors and valve motors. OJ Air2 Fan IO21 is equipped with four RJ12 Modbus connectors for Direct Modbus controlled damper and valve motors (see fig. 6).

The benefit of Direct Modbus controlled actuators, damper motors and valve motors is that they can be fully integrated with the ventilation system. Furthermore, alarms and messages are always provided via feedback from the actuators, damper motors and valve motors whenever situations arise in which they do not react as expected.

OJ Air2 Fan IO21 is equipped with two pressure transmitters (see fig. 4) for monitoring purpose, for example fan operation and filter, air volume control and collection and distribution of alarm and control signals. OJ Air2 Fan IO21 uses standard signals, e.g. 0-10 V DC modulating control signals, and is connected to standard components, e.g. standard PT1000 sensors.

PRODUCT PROGRAMME

TYPE	PRODUCT
OJ Air2 Fan IO21	Fan input/output module, Direct Modbus, IP54, 2500 Pa

FUNCTION

OJ Air2 Fan IO21 can with advantage be used to replace long conventional electric cable connections, saving both material and installation time. OJ Air2 Fan IO21 is special in that the Direct Modbus controlled damper and valve motors can be connected direct to OJ Air2 Fan IO21 using the four built-in RJ12 Modbus connectors (see fig. 6). OJ Air2 Fan IO21 collects all signals relating to the air handling unit (see fig. 2). Both electrical and mechanical signals and measurements are converted for data transmission. Via a standard communication protocol (RS-485 Modbus RTU), the signals are sent to the controller, which manages alarms and controls and regulates the air handling unit (see fig. 10).

Typical signals sent between the controller or BMS system and the air handling unit are concerning inlet temperature, exhaust temperature, filter guard, differential pressure and flow guard on inlet fan, damper motor for inlet air, damper motor for exhaust air, 0-10 V DC speed signal from frequency converter for fans, alarm signal from frequency converter and operating signal to fan frequency converter.

OJ Air2 Fan IO21 collects all these electrical and mechanical signals and transmits them via RS-485 Modbus RTU to the Master or BMS system.

ENCLOSURE RATING

In order to meet IP54 rating, tubes must be attached to all tube connectors and all rubber membrane cable glands must be either used or sealed with blanking plugs offering at least IP54 ingress protection. This will ensure that the enclosure as a minimum corresponds to the IP54 rating of the product.

The enclosure can be easily opened and closed using the practical one-hand-operated snap locks. Dimensions (see fig. 3)

INSTALLATION

OJ Air2 Fan IO21 should be installed in a strategic, central location so that the wiring for the input and output signals is as short as possible. All that is needed to connect the module to a Master, PLC or other controller type is simply an RS-485 RTU Modbus communication cable (see fig. 5).

OJ Air2 Fan IO21 should be attached to an even surface by means of three screws (see fig. 3). It can be fitted in any orientation without adversely affecting accuracy.

OJ Air2 Fan IO21 has an approved enclosure rating of IP54 and is equipped with four tube connectors for attaching soft plastic tubes used to measure pressure differential or over-/underpressures. In addition, OJ Air2 Fan IO21 is equipped with five cable glands with rubber membranes for cable entry.

The cover and lower edge of the enclosure are equipped with a rubber membrane allowing the Modbus cable (flat cable of type MPFK6S or similar) to be fed into the enclosure beneath the cover. When the cover is closed, the rubber membrane is pressed tightly around the Modbus cable, ensuring the enclosure meets IP54 requirements.

With its IP54 enclosure rating and temperature-independent pressure transmitters, OJ Air2 Fan IO21 is designed to be fitted inside the air handling unit. OJ Air2 Fan IO21 has an operat-

ing temperature range of -20/+40°C (transient -30/+50°C).

Modbus connection

Modbus is connected to OJ Air2 Fan IO21 via RJ12 connector "A" (see fig. 5). An OJ EC controller or OJ frequency converter can be connected directly to the OJ Air2 Fan IO21 module. The EC controller or frequency converter is connected to connector "B" (see fig. 5). Connectors "C", "D", "E" and "F" (see figs 6 & 9) are used for connecting Direct Modbus controlled damper or valve motors or for looping to other Modbus equipment in the air handling unit. OJ Air2 Fan IO21 is also equipped with screw terminals for Modbus connection: terminals 1 & 2 (see fig. 1).

Supply voltage

A 24 V AC supply voltage for OJ Air2 Fan IO21 must be connected to terminals 13 and 14 (see fig. 7 & 8). The total load on the OJ Air2 Fan IO21 module may at most be 3500 mA. OJ Air2 Fan IO21 cannot be powered via the RJ12 connection.

Pressure tubes

The two pressure transducers marked P1 and P2 should be connected with overpressure/highest pressure on the + tube connector and underpressure/lowest pressure on the ÷ tube connector (see fig. 4).

The pressure tubes must be as short as possible and must be secured in position to prevent vibration. To ensure optimum results, pressure should be measured where there is least possible risk of turbulent flow, i.e. at the centre of the ventilation duct.

The transmitters also function with only one tube attached to the connectors (+ or -). However, unless the connectors face downwards, tubes should always be fitted to all connectors in order to maintain the enclosure rating.

If there is a risk of condensation forming in the tubes, OJ Air2 Fan IO21 must be positioned in such a way that condensate cannot flow back into the pressure transducer.

The measuring range is 0-2500 Pa.

Pressure tube connection is illustrated in fig. 4.

Temperature inputs

OJ Air2 Fan IO21 is equipped with two sensor inputs for PT1000 sensors (1000 Ω @ 0°C). Sensor 1 should be connected to the "Temp. 1" input on terminals 10 & 11. Sensor 2 should be connected to the "Temp. 2" input on terminals 11 & 12.

The measuring range of the sensors is -30°C to +60°C. Electrical connections are illustrated in fig. 8.

Digital input

OJ Air2 Fan IO21 is equipped with one potential-free digital input which can be used, for example, for monitoring alarms from a frequency converter. The potential-free signal from the frequency converter should be connected to the "Alarm IN" input on terminals 8 & 9. Electrical connections are illustrated in fig. 8.

Digital output

OJ Air2 Fan IO21 is equipped with one potential-free digital relay output which can be used, for example, to start and stop a frequency converter. The “Operation relay” output should be connected to terminals 4 & 5. Electrical connections are illustrated in fig. 8.

Modbus RTU outputs

OJ Air2 Fan IO21 is equipped with four RJ12 connectors (see fig. 6) for connecting Direct Modbus actuators, damper motors and valve motors.

Analogue output

OJ Air2 Fan IO21 is equipped with one 0-10 V DC analogue output which can be used, for example, to control the speed of a frequency converter. The 0-10 V DC control signal should be connected to the “0-10 V OUT” output on terminals 6 & 7. Electrical connections are illustrated in fig. 8.

TECHNICAL DATA

Supply voltage24 V AC +/- 15%
via terminals (13 & 14), max. 3500 mA
Electrical connections.....max. 1.5 mm²,
screw terminals
Modbus connection.....6 x RJ12 6/6
top entry connectors
Modbus protocol38.4 kbaud, 1 start bit,
8 data bits, 1 stop bit
Measuring range, pressure 0/2500 Pa
Digital input,
for alarm from FC 1 x potential-free
Pressure inputs2 x 0-2500 Pa.
Temperature inputs 2 x PT1000
Digital relay output 1 x potential-free relay,
max. 2 A/30 V DC
Analogue output,
for controller, e.g. EC 1 x 0-10 V DC
Ambient temperature, operation..... -20/+40°C
(transient -30/+50°C)
Ambient temperature, storage-50/+70°C
Air humidity, non-condensing 10-95% rh
Max. altitude 1300 m
Transducer accuracy
@ -20/+40°C0.5% MV +2.5 Pa
(MV = measured value)
Pressure transducer max. pressure 20 kPa
Power consumption..... max. 2.5 VA (-20/+40°C)
Dimensions 165 x 110 x 70 mm
Modbus cable dimension MPPK6S
or similar
Pressure tubes 4 x Ø6.2 mm
Enclosure rating IP54
Enclosure dimensions..... 169 x 139 x 71 mm
Enclosure materialABS HI 100
Weight 320 g

LED INDICATORS

OJ Air2 Fan IO21 is equipped with one green and one red LED which indicate operating status.

LED	ON	FLASHING
GREEN LED	Power ON	Modbus OK
RED LED	No Modbus communication	I/O alarm

TROUBLESHOOTING

Symptom	Cause	Action
Green LED not lit	No power supply	Check power supply Check electrical connections Check connectors
	Defective OJ Air2 Fan IO21	Replace OJ Air2 Fan IO21
Red LED lit	Modbus connection broken/ short-circuited	Check electrical connections along entire length of Modbus
	Incorrect address	Set correct Modbus address on OJ Air2 Fan IO21 address selector, see fig. 11
	Incorrect communication speed	Set correct communication: 38.4 kbaud, 1 start bit, 8 data bits, 1 stop bit, no parity
	Defective OJ Air2 Fan IO21	Replace OJ Air2 Fan IO21
Negative measured value (pressure, Pa)	Tubes interchanged	Exchange tubes on plus (+) and minus (-) tube connectors, see fig. 4
	Defective OJ Air2 Fan IO21	Replace OJ Air2 Fan IO21
Deviation in measured values (pressure, Pa)	OJ Air2 Fan IO21 subjected to temperatures outside the specified temperature range	Bring ambient temperature into line with that specified in these instructions, see technical data
	No or reduced flow through pressure measurement tubes	Check that pressure measurement tubes are correctly fitted
	Zero pressure at measuring points	Start fan
	Defective OJ Air2 Fan IO21	Replace OJ Air2 Fan IO21
Zero point deviation (pressure, Pa)	Zero calibration not carried out	Depressurise OJ Air2 Fan IO21, if necessary by removing both pressure tubes, and carry out zero calibration. Zero calibration is performed via Modbus register 1, address 0X000, external calibration.
	Defective OJ Air2 Fan IO21	Replace OJ Air2 Fan IO21
No data from sensor inputs (temp. °C)	Sensor circuit broken	Check electrical connections
	Sensor circuit short-circuited	Check electrical connections
	Incorrect sensor type	Replace sensors with type: PT1000
	Defective OJ Air2 Fan IO21	Replace OJ Air2 Fan IO21
Sensor inputs show incorrect values (temp. °C)	Incorrect sensor type	Replace sensors with type: PT1000
	Defective OJ Air2 Fan IO21	Replace OJ Air2 Fan IO21
No voltage on 0-10 V DC output	Interchanged polarization	Exchange polarization
	Lacking signal from controller	Enable 0-10 V DC signal from controller
	Signal circuit broken	Check electrical connections
	Defective OJ Air2 Fan IO21	Replace OJ Air2 Fan IO21
No signal on digital output	Lacking signal from controller	Enable signal from controller
	Signal circuit short-circuited	Check electrical connections
	Signal circuit broken	Check electrical connections
	Defective OJ Air2 Fan IO21	Replace OJ Air2 Fan IO21
No signal on digital input	Signal circuit broken	Check electrical connections
	Defective OJ Air2 Fan IO21	Replace OJ Air2 Fan IO21
Constant signal on digital input	Signal circuit short-circuited	Check electrical connections
	Defective OJ Air2 Fan IO21	Replace OJ Air2 Fan IO21
Damper motor inoperative	Incorrect damper motor type	Check that damper motor is of a type which can be controlled by Direct Modbus and 24 V DC
	Address incorrectly set on damper motor	Set correct address on damper motor. For information on setting Modbus address, see documentation from damper motor manufacturer.
	Lacking signal from controller	Enable signal from controller
	Modbus connection short-circuited	Check electrical connections
	Modbus connection broken	Check electrical connections
Valve motor inoperative	Defective OJ Air2 Fan IO21	Replace OJ Air2 Fan IO21
	Incorrect valve motor type	Check that valve motor is of a type which can be controlled by Direct Modbus and 24 V DC
	Address incorrectly set on valve motor	Set correct address on valve motor. For information on setting Modbus address, see documentation from valve motor manufacturer.
	Lacking signal from controller	Enable signal from controller
	Modbus short-circuited	Check electrical connections
	Modbus disconnected	Check electrical connections
Defective OJ Air2 Fan IO21	Replace OJ Air2 Fan IO21	

Deutsch

Modbus addresses

OJ Air2 Fan IO21 can be configured to two different Modbus addresses, 0x60 (96) and 0x61 (97), with communication protocol: 38.4 kbaud, 1 start bit, 8 data bits, 1 stop bit and no parity. The Modbus address is set on the blue DIP switch (see fig. 11).

Modbus protocol

Coil Stat Bits: Not supported
Input Stat Bits: Not supported

Supported Modbus commands

(see fig. 12: Holding registers).
(see fig. 13: Input registers).

SERVICE AND MAINTENANCE

No special maintenance is required.
Please contact your supplier if faults arise.

DISPOSAL AND ENVIRONMENTAL PROTECTION

Help protect the environment by disposing of the packaging and redundant products in an environmentally responsible manner.

Product disposal



Products marked with this symbol must not be disposed of together with household refuse but must be delivered to a waste collection centre in accordance with applicable local regulations.

OJ cannot be held liable for any errors in catalogues, brochures or other printed material. OJ reserves the right to alter its products without notice. This also applies to products already on order, provided that such alterations can be made without requiring subsequent changes in specifications already agreed. All trademarks in this material are the property of the respective companies. OJ and the OJ logotype are trademarks of OJ Electronics A/S. All rights reserved.

OJ ELECTRONICS A/S

Stenager 13B · DK-6400 Sønderborg
Tel. +45 73 12 13 14 · Fax: +45 73 12 13 13
oj@ojelectronics.com · www.ojelectronics.com

CE MARKING

OJ Electronics A/S hereby declares under sole responsibility that the product complies with the following European Parliament directives:

LVD Low Voltage Directive
EMC Electromagnetic Compatibility Directive
RoHS Directive on the restriction of the use of certain hazardous substances in electrical and electronic equipment

Applied standards

EN 61000-6-2 and EN 61000-6-3

ABBILDUNGEN

Am Ende dieser Anleitung finden sich folgende Abbildungen:

- Abb. 1: Übersicht OJ Air2 Fan IO21, elektrische Anschlüsse und Druckschläuche
Abb. 2: Konfiguration (Beispiel)
Abb. 3: Maßskizze
Abb. 4: Druckschläuche, Anschluss
Abb. 5: Anschluss von Modbus und EC/FU
Abb. 6: Elektrischer Anschluss von Stellgliedern
Abb. 7: Externe zusätzliche Stromversorgung
Abb. 8: Elektrischer Anschluss von EC/FU
Abb. 9: Steckerbelegung in den Steckdosen „C“, „D“, „E“ u. „F“
Abb. 10: Komplette Konfiguration (Beispiel)
Abb. 11: Modbus-Adressierungsübersicht
Abb. 12: Unterstützte Modbus-Halterregister
Abb. 13: Unterstützte Modbus-Input-Register

ALLGEMEINES

OJ Air2 Fan IO21 ist ein Eingangs- und Ausgangsmodul mit RS-485-RTU-Modbus-Kommunikation, speziell ausgelegt für den Einbau in ein Lüftungsaggregat. OJ Air2 Fan IO21 eignet sich besonders für den Anschluss und die Steuerung von mit Direct Modbus gesteuerten Stellgliedern, Klappen- und Ventilmotoren. OJ Air2 Fan IO21 ist mit 4 RJ12-Modbus-Steckdosen für mit Direct Modbus gesteuerte Klappen- und Ventilmotoren ausgestattet (siehe Abb. 6). Der Vorteil von mit Direct Modbus gesteuerten Stellgliedern, Klappen- und Ventilmotoren ist die völlige Integration der einzelnen Stellglieder und durch Rückmeldungen von Stellgliedern, Klappen- und Ventilmotoren bei unerwarteter Reaktion von Stellgliedern immer alarmiert und informiert zu werden.

OJ Air2 Fan IO21 ist mit 2 Druckmessumformern (siehe Abb. 4) zur Überwachung, z. B. von Lüfterbetrieb und Filter, der Luftmengenregelung sowie zur Erfassung und Weitergabe von Alarm- und Steuersignalen ausgestattet. Die Signale im OJ Air2 Fan IO21 und die angeschlossenen Komponenten sind Standard-sig-nale und -komponenten, wie zum Beispiel Standard-PT1000-Fühler mit 0-10 V= modulie-rendem Steuersignal.

PRODUKTPROGRAMM

TYP	PRODUKT
OJ Air2 Fan IO21	Lüfter-Eingangs-/Ausgangs-Modul, Direct Modbus, IP54, 2500 Pa

FUNKTION

Mit OJ Air2 Fan IO21 sind insbesondere keine der herkömmlichen, langen elektrischen Kabelverbindungen mehr erforderlich und spart damit Material und Installationszeit. Der Vorteil von OJ Air2 Fan IO21 ist, dass die mit Direct Modbus gesteuerten Klappen- und Ventilmotoren direkt an den 4 im OJ Air2 Fan IO21 eingebauten RJ12-Modbussteckern angeschlossen werden können (siehe Abb. 6). OJ Air2 Fan IO21 sammelt alle Signale in Verbindung mit einem Lüfteraggregat (siehe Abb. 2). Elektrische sowie mechanische Signale und Messungen werden zur Datenübermittlung konvertiert. Über ein Standard-Kommunikationsprotokoll (RS-485 Modbus RTU) werden die Signale an den die Lüftungsanlage steuernden, regelnden und die Alar-me behandelnden Regler gesandt (siehe Abb. 10).

Typische Signale, die zwischen Regler oder BMS-System und Aggregat gesandt werden, sind Signale betreffend Zulufttemperatur, Ablufttemperatur, Filterüberwachung, Differenzdruck und Flusswächter am Zuluftgebläse, Klappenmotor für Zuluft, Klappenmotor für Abluft, 0-10V=Drehzahl-signal am Frequenzumrichter für Lüfter, Alarmsignal vom Frequenzumrichter

und Betriebssignal für den Frequenzumrichter des Lüfters.

OJ Air2 Fan IO21 sammelt alle diese elektrischen und mechanischen Signale und überträgt diese über RS-485 Modbus RTU an den Master oder das BMS-System.

SCHUTZART

Zur Einhaltung von Schutzart IP54 müssen an allen Schlauchstutzen Schläuche montiert sein, und sind Gummimembranen für Kabeldurchführungen zu benutzen oder ist mit Blindverschraubungen mindestens der Schutzart IP54 abzublenden.

Das Gehäuse lässt sich leicht mit der praktischen, einhändig bedienbaren Schnappverschlussanordnung öffnen und schließen. Abmessungen (siehe Abb. 3).

INSTALLATION

OJ Air2 Fan IO21 sollte strategisch und zentral platziert werden, um die Verbindungen zu den aktuellen Ein- und Ausgangssignalen möglichst kurz zu halten, und die einzige Verbindung zwischen Master, SPS oder anderer Art von Regleinheit nur eine RS-485-Modbuskommunikation ist (siehe Abb. 5).

OJ Air2 Fan IO21 ist mit 3 Schrauben auf einer zwischen den Schrauben ebenen Fläche in beliebiger Lage zu montieren; die Genauigkeit wird dabei nicht beeinträchtigt (siehe Abb. 3).

OJ Air2 Fan IO21 ist in Schutzart IP54 ausgeführt und verfügt über 4 Stutzen zum Anschluss weicher Kunststoffschläuche zur Messung von Differenz- oder Über-/Unterdruck. Darüber hinaus ist OJ Air2 Fan IO21 mit 5 offenen Gummimembranen zur Durchführung elektrischer Kabel ausgestattet.

Das Gehäuse ist sowohl am Deckel als auch auf der Unterseite mit einer Gummimembrane ausgestattet, um das Modbus-Kabel (Flachkabel, Kabeltyp MPFK6S oder entsprechend) durch die Deckelöffnung ins Gehäuse einführen zu können. Bei geschlossenem Deckel schließt die Gummimembrane so dicht um das Modbus-Kabel, dass Schutzart IP54 eingehalten wird.

OJ Air2 Fan IO21 ist dank Schutzart IP54 sowie den temperaturkompensierten Druckmessumformern für eine Montage innerhalb des Lüfteraggregatgehäuses ausgelegt. OJ Air2 Fan IO21 funktioniert innerhalb eines Temperaturbereichs -20/+40 °C, kurzzeitig ist der Betrieb bei -30/+50 °C möglich.

Modbus-Anschluss

Der Modbus ist am OJ Air2 Fan IO21 mit RJ12-Stecker in „A“ anzuschließen (siehe Abb. 5). Ein OJ-EC-Regler oder ein OJ-Frequenzumrichter kann direkt am OJ-Air2-Fan-IO21-Modul angeschlossen werden. EC-Regler oder Frequenzumrichter sind an Steckdose „B“ anzuschließen (siehe Abb. 5).

Die Steckdosen „C“, „D“, „E“, „F“ (siehe Abb. 6 u. 9) dienen zum Anschluss von mit Direct Modbus gesteuerten Klappen- oder Ventilmotoren oder zur Durchschleifung zu anderen Modbus-Ausrüstungen im Aggregat.

OJ Air2 Fan IO21 ist ebenfalls mit Schraubenklemmen zum Anschluss des Modbus ausgestattet, Klemme 1 und 2 (siehe Abb. 1).

Spannungsversorgung

Die 24 V--Spannungsversorgung für OJ Air2 Fan IO21 ist an die Klemmen 13 und 14 anzuschließen (siehe Abb. 7 und 8). Die Gesamtlast am OJ Air2 Fan IO21-Modul darf max. 3500 mA betragen.

OJ Air2 Fan IO21 kann nicht über den RJ12-Anschluss mit Spannung versorgt werden.

Druckschläuche

Die 2 Druckmessumformer, gekennzeichnet P1 und P2, sind mit Überdruck/dem höchsten Druck am +-Stutzen und mit Unterdruck/dem niedrigsten Druck am ÷-Stutzen anzuschließen (siehe Abb. 4).

Druckschläuche sind so kurz wie möglich zu halten und so zu befestigen, dass Schwingungen vermieden werden. Zur optimalen Druckmessung sollte diese an Stellen mit niedrigstmöglichem Risiko turbulenter Strömung erfolgen, d. h. in der Mitte der Lüftungskanäle. Die Druckmessumformer wirken auch, wenn nur ein Schlauch auf den Stutzen (+ oder -) montiert ist, aber mit Rücksicht auf die Schutzart sind auf allen nicht nach unten gerichteten Schlauchstutzen Schläuche vorzusehen. Besteht die Gefahr von Kondenswasserbildung in den Anschlussschläuchen ist OJ Air2 Fan IO21 so anzubringen, dass die Kondensflüssigkeit nicht zurück und in die Druckmessumformer fließen kann. Der Messbereich beträgt 0-2500 Pa. Der Anschluss der Druckschläuche ist Abb. 4 zu entnehmen.

Temperatureingänge

OJ Air2 Fan IO21 ist mit 2 Fühlereingängen für PT1000-Fühler (1000 Ω @ 0 °C) ausgestattet. Fühler 1 ist am „Temp. 1“-Eingang an den Klemmen 10 und 11 anzuschließen. Fühler 2 ist am „Temp. 2“-Eingang an den Klemmen 11 und 12 anzuschließen. Der Messbereich der Fühler beträgt -30 °C bis +60 °C. Die elektrischen Anschlüsse sind Abb. 8 zu entnehmen.

Digitaleingang

OJ Air2 Fan IO21 ist mit 1 potentialfreien Digitaleingang für evtl. Alarm vom Frequenzumrichter ausgestattet. Das potentialfreie Signal, z. B. vom Frequenzumrichter, ist am „Alarm EIN“-Eingang an den Klemmen 8 und 9 anzuschließen. Die elektrischen Anschlüsse sind Abb. 8 zu entnehmen.

Digitalausgang

OJ Air2 Fan IO21 ist mit 1 potentialfreien digitalen Relaisausgang, z. B. für Start/Stop des Frequenzumrichters, ausgestattet. Der „Betriebsrelais“-Ausgang ist an den Klemmen 4 und 5 anzuschließen. Die elektrischen Anschlüsse sind Abb. 8 zu entnehmen.

Modbus-RTU-Ausgänge

OJ Air2 Fan IO21 ist mit 4 RJ12-Steckern zum Anschluss von mit Direct Modbus gesteuerten Stellgliedern, Klappen- und Ventilmotoren ausgestattet (siehe Abb. 6).

Analogausgang

OJ Air2 Fan IO21 ist mit 1 0-10V=-Analogausgang zur evtl. Drehzahlregelung des Frequenzumrichters ausgestattet. Das 0-10V=-Steuersignal ist am „0-10 V AUS“-Ausgang an den Klemmen 6 und 7 anzuschließen. Die elektrischen Anschlüsse sind Abb. 8 zu entnehmen.

TECHNISCHE DATEN

Spannungsversorgung 24 V~ ±15 %
an den klemmen (13 u. 14),
max. 3500 mA
Elektrische Anschlüsse max. 1,5 mm²,
Schraubklemmen
Modbus-Anschluss 6 RJ12 6/6 „Top
Entry“-Steckverbindungen
Modbus-Protokoll 38,4 kBaud,
1 Startbit, 8 Datenbits, 1 Stoppbit
Messbereiche, Druck 0/2500 Pa
Digitaleingang,
für Alarm von FU 1, potentialfrei
Druckeingänge 2, 0-2500 Pa
Temperatureingänge 2, PT1000
Digitaler Relaisausgang 1, pot.frei Relais,
max. 2 A/30 V=
Analogausgang,
für Regler z. B. für EC 1, 0-10 V=
Umgebungstemperatur -20/+40 °C (Betrieb)
(kurzzeitig -30/+50 °C)
Umgebungstemperatur,
Aufbewahrung -50/+70 °C
Luftfeuchtigkeit, nicht kondensierend . 10-95 %rF

Max. Höhe über dem Meeresspiegel 1300 m
Druckmessumformergenauigkeit
@ -20/+40 °C 0,5 %MV +2,5 Pa
(MV = Messwert)
Druckmessumformer, maximaler Druck .. 20 kPa
Leistungsaufnahme max. 2,5 VA (-20/+40 °C)
Abmessungen 165×110×70 mm
Kabelabmessungen, Modbus MPFK6S
oder dementsprechend
Druckschläuche 4×Ø6,2
Gehäuse, Schutzart IP54
Gehäuse, Abmessungen 169×139×71 mm
Gehäuse, Werkstoff ABS HI 100
Gewicht 320 g

BETRIEBSANZEIGEN

OJ Air2 Fan IO21 ist mit einer grünen und einer roten LED zur Anzeige des Betriebszustands ausgerüstet.

LED	EIN	BLINKEND
GRÜNE LED	Netz EIN	Modbus OK
ROTE LED	Keine Modbus-Kommunikation	I/O-Alarm

Modbus-Adressen

OJ Air2 Fan IO21 kann für 2 unterschiedliche Modbus-Adressen konfiguriert werden: 0x60 (96) und 0x61 (97), und das Kommunikationsprotokoll: 38,4 kBaud, 1 Startbit, 8 Datenbits, 1 Stoppbit und keine Parität. Die Modbus-Adresse wird mit dem blauen DIP-Schalter eingestellt (siehe Abb. 11).

Modbus-Protokoll

Coil Stat Bits: nicht unterstützt
Inputs Stat Bits: nicht unterstützt

Unterstützte Modbus-Kommandos

(siehe Abb. 12: Holding Registers).
(siehe Abb. 13: Inputs Registers).

SERVICE UND WARTUNG

Keine spezielle Instandhaltung erforderlich.
Bei Problemen bitte mit dem Zulieferer Kontakt aufnehmen.

UMWELT UND ENTSORGUNG

Helfen Sie mit, die Umwelt zu schützen durch umweltgerechte Entsorgung der Verpackung und von gebrauchten Produkten.

Entsorgung des gebrauchten Produkts



Produkte mit dieser Kennzeichnung dürfen nicht als normaler Hausmüll entsorgt werden, sondern sind gemäß den geltenden lokalen Vorschriften gesondert einzusammeln.

Die in Katalogen, Prospekten und anderen schriftlichen Unterlagen, wie z.B. Zeichnungen und Vorschlägen enthaltenen Angaben und technischen Daten sind vom Käufer vor Übernahme und Anwendung zu prüfen. OJ behält sich das Recht vor, ohne vorherige Bekanntmachung im Rahmen des Angemessenen und Zumutbaren Änderungen an ihren Produkten – auch an bereits in Auftrag genommenen – vorzunehmen. Alle in dieser Publikation enthaltenen Warenzeichen sind Eigentum der jeweiligen Firmen. OJ und alle OJ Logos sind Warenzeichen der OJ Electronics A/S. Alle Rechte vorbehalten.

OJ ELECTRONICS A/S

Stenager 13B · DK-6400 Sønderborg
Tel. +45 73 12 13 14 · Fax: +45 73 12 13 13
oj@ojelectronics.com · www.ojelectronics.com

CE-KENNZEICHNUNG

OJ Electronics A/S erklärt in Eigenverantwortung, dass das Produkt den folgenden Richtlinien des Europäischen Parlaments entspricht:
Niederspannungsrichtlinie
EMV Elektromagnetische Verträglichkeit
RoHS Beschränkung der Verwendung bestimmter gefährlicher Stoffe in Elektro- und Elektronikgeräten

Angewandte Standards

EN 61000-6-2 und EN 61000-6-3.

FEHLERSUCHE

Symptom	Ursache	Aktion
Grüne LED leuchtet nicht	Fehlende Spannungsversorgung	Spannungsversorgung kontrollieren. Elektrische Anschlüsse kontrollieren. Steckverbindungen kontrollieren.
	OJ Air2 Fan IO21 defekt	OJ Air2 Fan IO21 austauschen
Rote LED leuchtet	Modbus unterbrochen/kurzgeschlossen	Elektrische Anschlüsse auf der gesamten Modbusstrecke kontrollieren.
	Falsche Adresse	Korrekte Modbus-Adresse am Adresswähler in OJ Air2 Fan IO21 einstellen, siehe Abb. 11
	Falsche Kommunikationsgeschwindigkeit	Kommunikation einstellen: 38,4 kBaud, 1 Startbit, 8 Datenbits, 1 Stoppbit, keine Parität.
	OJ Air2 Fan IO21 defekt	OJ Air2 Fan IO21 austauschen
Negativ erfasster Messwert (Druck, Pa)	Schläuche vertauscht	Anschlusschläuche auf den Plus- (+) und Minus- (-) Anschlussstutzen vertauschen, siehe Abb. 4
	OJ Air2 Fan IO21 defekt	OJ Air2 Fan IO21 austauschen
Messabweichung (Druck, Pa)	Die Umgebungstemperatur des OJ Air2 Fan IO21 liegt außerhalb des angegebenen Temperaturbereichs.	Umgebungstemperatur an den in dieser Anleitung angegebenen Bereich anpassen. Siehe Technische Daten
	Fehlende oder reduzierte Verbindung über die Druckmessschläuche	Druckmessschläuche auf korrekte Montage kontrollieren.
	Fehlender Druck an den Messpunkten	Lüfter einschalten.
	OJ Air2 Fan IO21 defekt	OJ Air2 Fan IO21 austauschen
Nullpunktabweichung (Druck, Pa)	Fehlende Null-Kalibrierung	OJ Air2 Fan IO21 drucklos machen – evtl. beide Druckschläuche entfernen – und Null-Kalibrierung vornehmen. Die Nullpunkt-Kalibrierung erfolgt mittels Modbus-Register 1, Adresse 0X000, externe Kalibrierung.
	OJ Air2 Fan IO21 defekt	OJ Air2 Fan IO21 austauschen
Kein Wert an den Fühlereingängen (Temp. °C)	Fühlerkreis unterbrochen	Elektrische Anschlüsse kontrollieren.
	Fühlerkreis kurzgeschlossen	Elektrische Anschlüsse kontrollieren.
	Falscher Fühlertyp	Fühler austauschen mit Fühlertyp: PT1000
	OJ Air2 Fan IO21 defekt	OJ Air2 Fan IO21 austauschen
Fühlereingänge zeigen falschen Wert an (Temp. °C)	Falscher Fühlertyp	Fühler austauschen mit Fühlertyp: PT1000
	OJ Air2 Fan IO21 defekt	OJ Air2 Fan IO21 austauschen
Keine Spannung am 0-10V-Ausgang	Falsche Polarisierung	Polarisierung wenden.
	Fehlendes Signal vom Regler	0-10V-Signal vom Regler freigeben.
	Signalkreis unterbrochen	Elektrische Anschlüsse kontrollieren.
	OJ Air2 Fan IO21 defekt	OJ Air2 Fan IO21 austauschen
Kein Signal am Digitalausgang	Fehlendes Signal vom Regler	Signal vom Regler freigeben.
	Signalkreis kurzgeschlossen	Elektrische Anschlüsse kontrollieren.
	Signalkreis unterbrochen	Elektrische Anschlüsse kontrollieren.
	OJ Air2 Fan IO21 defekt	OJ Air2 Fan IO21 austauschen
Kein Signal am Digitaleingang	Signalkreis unterbrochen	Elektrische Anschlüsse kontrollieren.
	OJ Air2 Fan IO21 defekt	OJ Air2 Fan IO21 austauschen
Konstantes Signal am Digitaleingang	Signalkreis kurzgeschlossen	Elektrische Anschlüsse kontrollieren.
	OJ Air2 Fan IO21 defekt	OJ Air2 Fan IO21 austauschen
Klappenmotor wirkt nicht	Verkehrter Klappenmotortyp	Kontrollieren, ob sich der Klappenmotor mit Direct Modbus und 24 V= steuern lässt.
	Verkehrt eingestellte Adresse am Klappenmotor	Richtige Adresse am Klappenmotor einstellen. Siehe Vorgehensweise zur Einstellung der Modbus-Adresse in der Dokumentation des Klappenmotorherstellers.
	Fehlendes Signal vom Regler	Signal vom Regler freigeben.
	Modbus kurzgeschlossen	Elektrische Anschlüsse kontrollieren.
	Modbus unterbrochen	Elektrische Anschlüsse kontrollieren.
	OJ Air2 Fan IO21 defekt	OJ Air2 Fan IO21 austauschen
Ventilmotor wirkt nicht	Verkehrter Ventilmotortyp	Kontrollieren, ob sich der Ventilmotor mit Modbus und 24 V= steuern lässt.
	Verkehrt eingestellte Adresse am Ventilmotor	Richtige Adresse am Ventilmotor einstellen. Siehe Vorgehensweise zur Einstellung der Modbus-Adresse in der Dokumentation des Ventilmotorherstellers.
	Fehlendes Signal vom Regler	Signal vom Regler freigeben.
	Modbus kurzgeschlossen	Elektrische Anschlüsse kontrollieren.
	Modbus unterbrochen	Elektrische Anschlüsse kontrollieren.
	OJ Air2 Fan IO21 defekt	OJ Air2 Fan IO21 austauschen

Français

LISTE DES FIGURES

Les figures suivantes se situent au verso des instructions :

- Fig. 1: Ventilateur IO21 du OJ Air2, dessin montrant les raccords électriques et les tubes pression
 Fig. 2: Exemple de configuration
 Fig. 3: Dessin avec dimensions
 Fig. 4: Raccord des tubes pression
 Fig. 5: Raccordement Modbus et EC/FC
 Fig. 6: Raccords électriques des actionneurs
 Fig. 7: Alimentation électrique externe supplémentaire
 Fig. 8: Raccords électriques pour EC/FC
 Fig. 9: Disposition de la filerie des connecteurs « C », « D », « E » & « F »
 Fig. 10: Configuration complète (exemple)
 Fig. 11: Aperçu de l'adressage Modbus
 Fig. 12: Commandes Modbus disponibles (registres généraux)
 Fig. 13: Commandes Modbus disponibles (registres d'entrées)

INTRODUCTION

Le ventilateur IO21 du OJ Air2 est un module entrée/sortie avec communication Modbus RS-485 RTU spécialement conçue pour une installation à l'intérieur d'une unité de contrôle d'air. Le ventilateur IO21 du OJ Air2 a été spécialement conçu pour le raccordement et le contrôle d'actionneurs, de moteurs de registre et de moteurs de vanne contrôlés directement par Modbus. Le ventilateur IO21 du OJ Air2 est muni de quatre connecteurs Modbus RJ12 pour les moteurs de registre et les moteurs de vanne contrôlés directement par Modbus (voir fig. 6). L'avantage du contrôle d'actionneurs, de moteurs de registre et de moteurs de vanne contrôlés directement par Modbus est qu'ils peuvent être complètement intégrés au système de ventilation. De plus, des alarmes et des messages sont toujours fournis par une rétroaction des actionneurs, des moteurs de registre et des moteurs de vanne quand ils ne réagissent pas tel que prévu.

Le ventilateur IO21 du OJ Air2 est muni de deux transmetteurs de pression (voir fig. 4) aux fins du suivi par exemple de l'opération du ventilateur et du filtre, du contrôle du volume d'air et de la réception et la distribution de signaux d'alarme et de contrôle. Le ventilateur IO21 du OJ Air2 utilise des signaux standard, par ex. les signaux 0-10 V CC de contrôle de modulation et il est raccordé à des composants standard comme par ex. des sondes PT1000.

GAMME DE PRODUITS

TYPE	PRODUIT
Ventilateur IO21 du OJ Air2	Module ventilateur d'entrée/sortie, Modbus Direct, IP54, 2500 Pa

FONCTION

Le ventilateur IO21 du OJ Air2 peut être avantageusement utilisé pour remplacer des raccordements par longs câbles électriques conventionnels ce qui économise le matériel et le temps d'installations. Le ventilateur IO21 du OJ Air2 est spécial du fait que les moteurs de registre et de vanne contrôlés directement par Modbus peuvent être raccordés directement au ventilateur IO21 du OJ Air2 en utilisant les quatre connecteurs RJ12 Modbus intégrés (voir fig. 6). Le ventilateur IO21 du OJ Air2 reçoit tous les signaux relatifs à l'unité de contrôle d'air (voir fig. 2). Les signaux électriques et mécaniques ainsi que les mesures sont convertis pour la transmission de données. Le protocole de communication standard (RS-485 Modbus RTU) assure la transmission des signaux au

contrôleur qui gère les alarmes et les contrôles ainsi que la régulation de l'unité de contrôle d'air (voir fig. 10).

Les signaux typiques qui sont échangés entre le contrôleur ou le système BMS et l'unité de contrôle d'air sont ceux concernant la température amont, la température de sortie, le contrôle de filtre, la pression différentielle et le contrôle de débit du ventilateur d'entrée, le moteur de registre pour l'entrée d'air, le moteur de registre pour la sortie d'air, le signal de vitesse 0-10 V CC du convertisseur de fréquence pour les ventilateurs, le signal d'alarme du convertisseur de fréquence et le signal de fonctionnement vers le convertisseur de fréquence du ventilateur.

Le ventilateur IO21 du OJ Air2 reçoit tous ces signaux électriques et mécaniques et les transmet par RS-485 Modbus RTU au maître ou au système BMS.

NORME DE L'ENCEINTE

Afin de respecter la norme IP54, les tubes doivent être rattachés à tous les connecteurs de tube et toutes les presses étoupe à membrane de caoutchouc doivent être utilisés ou scellés par des bouchons offrant au moins une protection IP54. Ceci assurera qu'au minimum l'enceinte répondra à la norme IP54 du produit. L'enceinte peut facilement être ouverte et fermée par les fermetures à ressort actionnées par une seule main. Dimensions (voir fig. 3)

INSTALLATION

Le ventilateur IO21 du OJ Air2 devrait être installé dans un endroit stratégique central pour que la filerie des signaux d'entrée et de sortie soit la plus courte possible. Tout ce qui est requis pour raccorder le module à un maître, un a.p.i. ou un autre type de contrôleur est simplement un câble de communication Modbus RS-485 RTU (voir fig. 5).

Le ventilateur IO21 du OJ Air2 devrait être fixé sur une surface plane par trois vis (voir fig. 3). Il peut être monté dans toute orientation sans affecter défavorablement sa précision.

Le ventilateur IO21 du OJ Air2 possède une enceinte répondant à la norme IP54 et est muni de quatre connecteurs pour tube afin d'y fixer des tubes souples en plastique pour la mesure de la pression différentielle ou les sur-/sous-pressions. De plus, le ventilateur IO21 du OJ Air2 est muni de cinq presses étoupe à membranes de caoutchouc pour l'entrée de câbles.

Le couvercle et le bord inférieur de l'enceinte sont munis d'une membrane de caoutchouc permettant au câble Modbus (câble plat de type MPFK6S ou similaire) d'être amené dans l'enceinte sous le couvercle. Quand le couvercle est fermé, la membrane de caoutchouc est fortement comprimée autour du câble Modbus pour assurer que l'enceinte satisfait les exigences de la norme IP54.

Avec la classe IP54 de l'enceinte et les transmetteurs de pression indépendants de la température, le ventilateur IO21 du OJ Air2 est conçu pour être monté à l'intérieur de l'unité de contrôle d'air. Le ventilateur IO21 du OJ Air2 possède une plage de température d'opération de -20/+40 °C (transitoire de -30/+50 °C).

Connexion Modbus

Le Modbus se raccorde au ventilateur IO21 du OJ Air2 par le raccord RJ12 « A » (voir fig. 5). Un contrôleur OJ EC ou un convertisseur de fréquence OJ peuvent être raccordés directement au module ventilateur IO21 du OJ Air2. Le contrôleur EC ou le convertisseur de fréquence sont raccordés au connecteur « B » (voir fig. 5). Les connecteurs « C », « D », « E » et « F » (voir fig. 6 & 9) sont utilisés pour raccorder des moteurs de registre ou vanne contrôlés directement par Modbus ou pour boucler avec d'autres équipements Modbus dans l'unité de contrôle d'air.

Le ventilateur IO21 du OJ Air2 est également muni de bornes à vis pour raccordement Modbus : bornes 1 & 2 (voir fig. 1).

Tension d'alimentation

Une alimentation 24 V CA pour le ventilateur IO21 du OJ Air2 doit être raccordée aux bornes 13 et 14 (voir fig. 7 & 8).

La charge totale du module du ventilateur IO21 du OJ Air2 ne doit pas être supérieure à 3500 mA.

Le ventilateur IO21 du OJ Air2 ne peut pas être alimenté par la connexion RJ12.

Tubes pression

Les deux transducteurs de pression identifiés P1 et P2 devraient être raccordés avec la sur-pression/plus forte pression au connecteur de tube + et la sous-pression/plus faible pression au connecteur de tube - (voir fig. 4).

Les tubes pression doivent être les plus courts possible et fixés pour prévenir leur vibration.

Pour assurer des résultats optimaux, la pression devrait être mesurée où il y a le moins possible de risque de flux turbulent, c.-à-d. au centre du conduit de ventilation.

Les transmetteurs ne fonctionnent qu'avec un seul tube raccordé aux connecteurs (+ ou -). Cependant, sauf si les connecteurs sont dirigés vers le bas, des tubes devraient toujours être raccordés à tous les connecteurs afin de maintenir l'indice de protection de l'enceinte.

S'il y a un risque de condensation dans les tubes, le ventilateur IO21 du OJ Air2 doit être positionné de façon à ce que le condensat ne puisse pas s'écouler vers le transducteur de pression.

La plage de mesure est 0-2500 Pa.

Le raccordement du tube pression est illustré à la fig. 4.

Entrées de température

Le ventilateur IO21 du OJ Air2 est muni de deux entrées de sonde pour des sondes PT1000 (1000 Ω @ 0 °C). La sonde 1 devrait être raccordée à l'entrée « temp. 1 » sur les bornes 10 & 11. La sonde 2 devrait être raccordée à l'entrée « temp. 2 » sur les bornes 11 & 12. La plage de mesure des sondes est -30 °C à +60 °C. Les raccordements électriques sont montrés à la fig. 8.

Entrée num.

Le ventilateur IO21 du OJ Air2 est muni d'une entrée numérique libre de potentiel qui peut être utilisée, par exemple, pour le contrôle d'alarmes d'un convertisseur de fréquence. Le signal libre de potentiel du convertisseur de fréquence devrait être raccordé à l'entrée « Alarm IN (entrée d'alarme) » sur les bornes 8 & 9. Les raccordements électriques sont montrés à la fig. 8.

Sortie num.

Le ventilateur IO21 du OJ Air2 est muni d'un relai de sortie numérique libre de potentiel qui peut être utilisée, par exemple, pour démarrer et arrêter un convertisseur de fréquence. La sortie « operation relay (relai d'opération) » devrait être raccordée aux bornes 4 & 5. Les raccordements électriques sont montrés à la fig. 8.

Sorties RTU Modbus

Le ventilateur IO21 du OJ Air2 est muni de quatre connecteurs RJ12 (voir fig. 6) pour raccorder les actionneurs, les moteurs de registre et de vannes contrôlés directement par Modbus.

Sortie analogique

Le ventilateur IO21 du OJ Air2 est muni d'une sortie analogique 0-10 V CC qui peut être utilisée, par exemple, pour contrôler la vitesse d'un convertisseur de fréquence. Le signal de contrôle 0-10 V CC devrait être raccordé à la sortie « 0-10 V OUT (sortie 0-10 V) » sur les bornes 6 & 7. Les raccordements électriques sont montrés à la fig. 8.

CARACTÉRISTIQUES TECHNIQUES

Tension d'alimentation.....	24 V CA +/- 15 %
	par les bornes (13 & 14), 3500 mA max.
Raccordements électriques.....	max. 1,5 mm ² bornes à vis
Connexion Modbus.....	6 x RJ12 6/6 connecteurs d'entrée du haut
Protocole Modbus	38,4 kBd, 1 bit de départ, 8 bits de données, 1 bit d'arrêt
Plage de mesure de pression	0/2500 Pa
Entrée num, pour alarme de FC	1 x contact sec
Entrées de pression.....	2 x 0-2500 Pa.
Entrées de température	2 x PT1000
Sortie relais numérique ..	1 x relai libre de potentiel, 2 A/30 V CC max.
Sortie analogique, pour contrôleur, c.-à-d. EC	1 x 0-10 V CC
Température ambiante, fonctionnement.....	-20/+40 °C (transitoire -30/+50 °C)
Température ambiante, remisage	-50 - +70 °C
Humidité air, sans condensation	10-95 % hr
Altitude max.	1300 m
Précision du transducteur @ -20/+40 °C.....	0,5 % MV +2,5 Pa (MV = valeur mesurée)
Transducteur de pression, pression max. .	20 kPa
Puissance consommée .	2,5 VA max. (-20/+40 °C)
Dimensions.....	165 x 110 x 70 mm
Dim. du câble Modbus.....	MPFK6S ou similaire
Tubes pression	4 x Ø6,2 mm
Norme de l'enceinte	IP 54
Dimensions de l'enceinte	169 x 139 x 71 mm
Matériau de protection	ABS HI 100
Poids.....	320 g

INDICATEURS DEL

Le ventilateur IO21 du OJ Air2 est muni d'une DEL verte et une rouge pour indiquer l'état du fonctionnement.

DEL	MARCHE	CLIGNO-TANTE
DEL VERTE	Alimentation activée	Modbus ok
DEL ROUGE	Pas de communication Modbus	Alarme I/O

Adresses Modbus

Le ventilateur IO21 du OJ Air2 peut être configuré pour deux adresses différentes Modbus, 0x60 (96) et 0x61 (97), avec un protocole de communication : 38,4 kBd, 1 bit de départ, 8 bits de données, 1 bit d'arrêt, pas de parité. L'adresse Modbus est réglée par le commutateur DIP bleu (voir fig. 11).

Protocole Modbus

Coil Stat Bits : Non supporté
Input Stat Bits : Non supporté

Commandes Modbus acceptées

(Voir fig. 12: Registres généraux).
(Voir fig. 13: Registres d'entrée).

SERVICE ET ENTRETIEN

Aucune maintenance spéciale n'est requise. Veuillez communiquer avec votre fournisseur si un défaut apparaît.

MISE AUX REBUTS ET PROTECTION DE L'ENVIRONNEMENT

Aidez à la protection de l'environnement en disposant de l'emballage et des produits superflus de façon écologiquement responsable.

Mise au rebut de produits



Les produits identifiés par ce symbole ne doivent pas être rebutés avec les déchets domestiques, mais doivent être livrés à un centre de collecte de déchets conformément aux règlements locaux applicables.

OJ décline toute responsabilité quant aux erreurs éventuelles dans les catalogues, les brochures et d'autres supports imprimés. OJ se réserve le droit de modifier ses produits sans préavis. Cela s'applique également aux produits déjà en commande à condition que ces modifications n'entraînent pas de changements nécessaires aux spécifications qui ont déjà été convenues. Toutes les marques de commerce dans le présent support sont la propriété des sociétés respectives. OJ et le logotype OJ sont des marques de commerce détenues par OJ Electronics A/S. Tous droits réservés.

OJ ELECTRONICS A/S

Stenager 13B · DK-6400 Sønderborg
Tél. +45 73 12 13 14 · Fax: +45 73 12 13 13
oj@ojelectronics.com · www.ojelectronics.com

HOMOLOGATION CE

OJ Electronics A/S déclare par la présente sous son unique responsabilité que le produit est conforme aux directives suivantes du Parlement européen :

DBT Directive basse tension

CEM Directive de compatibilité électromagnétique

RoHS Directive à propos de la limitation de l'utilisation de certaines substances dangereuses dans les équipements électriques et électroniques

Normes appliquées

EN 61000-6-2 et EN 61000-6-3.

DIAGNOSTIC DE PANNES

Symptôme	Cause	Action
DEL verte non allumée	Pas d'alimentation	Vérifier bloc d'alimentation Vérifier les raccords électriques Vérifier les connecteurs
	Le ventilateur IO21 du OJ Air2 est défectueux	Remplacer le ventilateur IO21 du OJ Air2
DEL rouge allumée	Connexion Modbus interrompue/court-circuitée	Vérifier les raccords électriques sur toute la longueur du Modbus
	Adresse erronée	Régler la bonne adresse Modbus sur le commutateur du ventilateur IO21 du OJ Air2, voir fig. 11
	Mauvaise vitesse de communication	Régler la bonne communication : 38,4, kBd, 1 bit de départ, 8 bits de données, 1 bit d'arrêt, pas de parité
	Le ventilateur IO21 du OJ Air2 est défectueux	Remplacer le ventilateur IO21 du OJ Air2
Valeur mesurée négative (pression, Pa)	Les tubes sont inversés	Échanger les tubes sur les connecteurs de tube plus (+) et moins (-), voir fig. 4
	Le ventilateur IO21 du OJ Air2 est défectueux	Remplacer le ventilateur IO21 du OJ Air2
Les valeurs mesurées dévient (pression, Pa)	Le ventilateur IO21 du OJ Air2 est dans des températures se situant à l'extérieur de la plage spécifiée.	Ramener la température ambiante à l'intérieur de la plage précisée dans ces instructions, voir les caractéristiques techniques
	Pas de débit ou réduction de débit dans les tubes de mesure de pression	Vérifier que les tubes de mesure de pression sont bien ajustés
	Pression zéro aux points de mesure	Démarrer le ventilateur
	Le ventilateur IO21 du OJ Air2 est défectueux	Remplacer le ventilateur IO21 du OJ Air2
Déviation du point zéro (pression, Pa)	La calibration à zéro n'est pas faite	Dépressuriser le ventilateur IO21 du OJ Air2, si nécessaire en enlevant les deux tubes pression, et effectuer la calibration à zéro. La calibration à zéro est effectuée par le registre 1 du Modbus, adresse 0X000, calibration externe.
	Le ventilateur IO21 du OJ Air2 est défectueux	Remplacer le ventilateur IO21 du OJ Air2
Pas de données des entrées de sonde (temp. °C)	Circuit de sonde ouvert	Vérifier les raccords électriques
	Circuit de sonde court-circuité	Vérifier les raccords électriques
	Mauvais type de sonde	Remplacer les sondes par des types : PT1000
	Le ventilateur IO21 du OJ Air2 est défectueux	Remplacer le ventilateur IO21 du OJ Air2
Les entrées de sonde montrent des valeurs erronées (temp. °C)	Mauvais type de sonde	Remplacer les sondes par des types : PT1000
	Le ventilateur IO21 du OJ Air2 est défectueux	Remplacer le ventilateur IO21 du OJ Air2
Pas de tension sur sortie 0-10 V CC	Interchanger la polarisation	Changer la polarisation
	Manque de signal du contrôleur	Rétablir le signal 0-10 V CC du contrôleur
	Circuit du signal ouvert	Vérifier les raccords électriques
	Le ventilateur IO21 du OJ Air2 est défectueux	Remplacer le ventilateur IO21 du OJ Air2
Pas de signal à la sortie numérique	Manque de signal du contrôleur	Rétablir le signal du contrôleur
	Circuit du signal court-circuité	Vérifier les raccords électriques
	Circuit du signal ouvert	Vérifier les raccords électriques
	Le ventilateur IO21 du OJ Air2 est défectueux	Remplacer le ventilateur IO21 du OJ Air2
Pas de signal à l'entrée numérique	Circuit du signal ouvert	Vérifier les raccords électriques
	Le ventilateur IO21 du OJ Air2 est défectueux	Remplacer le ventilateur IO21 du OJ Air2
Signal constant à l'entrée numérique	Circuit du signal court-circuité	Vérifier les raccords électriques
	Le ventilateur IO21 du OJ Air2 est défectueux	Remplacer le ventilateur IO21 du OJ Air2
Moteur de registre inopérant	Type incorrect de moteur de registre	Vérifier que le moteur de registre est un type qui peut être contrôlé par Modbus Direct et de 24 V CC
	L'adresse est réglée incorrectement sur le moteur de registre	Régler correctement l'adresse sur le moteur de registre. Pour de l'information à propos du réglage de l'adresse Modbus, consulter la documentation du fabricant du moteur de registre.
	Manque de signal du contrôleur	Rétablir le signal du contrôleur
	Raccord Modbus court-circuité	Vérifier les raccords électriques
	Raccord Modbus brisé	Vérifier les raccords électriques
	Le ventilateur IO21 du OJ Air2 est défectueux	Remplacer le ventilateur IO21 du OJ Air2
Moteur de vanne inopérant	Type incorrect de moteur de vanne	Vérifier que le moteur de vanne est un type qui peut être contrôlé par Modbus Direct et de 24 V CC
	L'adresse est réglée incorrectement sur le moteur de vanne	Régler correctement l'adresse sur le moteur de vanne. Pour de l'information à propos du réglage de l'adresse Modbus, consulter la documentation du fabricant du moteur de vanne.
	Manque de signal du contrôleur	Rétablir le signal du contrôleur
	Modbus court-circuité	Vérifier les raccords électriques
	Modbus débranché	Vérifier les raccords électriques
	Le ventilateur IO21 du OJ Air2 est défectueux	Remplacer le ventilateur IO21 du OJ Air2

FIGURÖVERSIKT

Följande figurer finns längst bak i anvisningen:

- Fig. 1: Översikt OJ Air2 Fan IO21, elanslutningar och tryckslangar
 Fig. 2: Konfigurationsexempel
 Fig. 3: Måttritning
 Fig. 4: Anslutning av tryckslangar
 Fig. 5: Anslutning av Modbus och EC/FC
 Fig. 6: Elanslutning av aktuatorer
 Fig. 7: Extern kompletterande strömförsörjning
 Fig. 8: Elanslutning för EC/FC
 Fig. 9: Kontaktbeläggning i kontakt "C", "D", "E" och "F"
 Fig. 10: Kompletterande konfiguration (exempel)
 Fig. 11: Modbus-adresseringsöversikt
 Fig. 12: Modbus-hållregister som stöds
 Fig. 13: Modbus-ingångsregister som stöds

ALLMÄNT

OJ Air2 Fan IO21 är en in- och utgångsmodul med RS-485 RTU Modbus-kommunikation, specialkonstruerad för montering inne i ett ventilationsaggregat. OJ Air2 Fan IO21 är specialkonstruerad för anslutning och styrning av Direct Modbus styrda aktuatorer, spjäll- och ventilmotorer. OJ Air2 Fan IO21 är försedd med 4 RJ12 Modbus-kontakter för Direct Modbus styrda spjäll- och ventilmotorer (se fig. 6). Fördelen med Direct Modbus styrda aktuatorer, spjäll- och ventilmotorer är att man uppnår full integrering av de enskilda aktuatorerna och via svarssignaler från aktuatorer, spjäll- och ventilmotorer alltid får larm och meddelanden om det skulle uppstå en situation där aktuatorer inte reagerar som förväntat. OJ Air2 Fan IO21 är försedd med två tryckgivare (se fig. 4) för övervakning av t.ex. fläktdrift och filter, luftflödesstyrning och för insamling och distribution av larm- och styrningar. Signalerna i OJ Air2 Fan IO21 och de anslutna komponenterna är standard signaler och -komponenter, som t.ex. standard PT1000-givare med 0 – 10 V DC modulerande styrning.

PRODUKTPROGRAM

TYP	PRODUKT
OJ Air2 Fan IO21	In-/utgångsmodul för fläktstyrning, Direct Modbus, IP54, 2 500 Pa.

FUNKTION

OJ Air2 Fan IO21 ersätter med fördel långa elektriska kabelanslutningar och spar därmed både material och installationstid. Det speciella med OJ Air2 Fan IO21 är att de Direct Modbus styrda spjäll- och ventilmotorerna kan anslutas direkt till OJ Air2 Fan IO21 i de fyra inbyggda RJ12 Modbus-kontakterna (se fig. 6). OJ Air2 Fan IO21 samlar alla signaler i ett ventilationsaggregat (se fig. 2). Både elektriska och mekaniska signaler samt mätningar omvandlas till datakommunikation. Med hjälp av ett standard kommunikationsprotokoll (RS-485 Modbus RTU) skickas signalerna till styrningen, som hanterar larm, styr och reglerar en ventilationsanläggning (se fig. 10). Typiska signaler som ska skickas mellan styrningen eller BMS-systemet och aggregatet är signaler beträffande tilluftstemperatur, frånluftstemperatur, filterövervakning, differensstryck och flödesvakt på tilluftfläkten, spjällmotor för tilluft, spjällmotor för frånluft, hastighetssignal 0 -10 V DC från frekvensomvandlare till fläktar, larmsignaler från frekvensomvandlare och driftsignal till fläktens frekvensomvandlare. OJ Air2 Fan IO21 samlar alla dessa elektriska och mekaniska signaler och sänder dem via RS-485 Modbus RTU till Mastern eller BMS-systemet.

KAPSLINGSKLASS

För att kunna klara kapslingsklass IP54 ska alla slangstosar vare monterade med slangar och gummimembran för kabelgenomföringar ska användas eller vara tätade med blindförskruvningar i lägst kapslingsklass IP54, så att kapslingen som lägst motsvarar produktens IP54. Kapslingen öppnas och stängs enkelt med det praktiska, enhandsmanövrerade snäpplåset. Mått (se fig. 3)

INSTALLATION

OJ Air2 Fan IO21 bör placeras strategiskt och centralt, så att anslutningen till de aktuella in- och utgångssignalerna blir så korta som möjligt, och att den enda kopplingen mellan Master, PLC eller en annan typ av styrning bara är en RS-485 Modbus RTU-kommunikation (se fig. 5). OJ Air2 Fan IO21 monteras med 3 skruvar (se fig. 3) på en plan yta mellan de 3 skruvarna. Den kan monteras valfritt i alla riktningar utan att noggrannheten påverkas. OJ Air2 Fan IO21 är godkänd för kapslingsklass IP54 med 4 anslutningsstosar för anslutning av mjuka plastslangar för mätning av differens- eller över-/undertryck. Dessutom är OJ Air2 Fan IO21 försedd med 5 öppna gummimembran för genomföring av elkablar. Kapslingen är både i locket och den undre kanten försedd med ett gummimembran så att en Modbus-kabel (flatkabel, kabeltyp MPFK6S eller motsvarande) kan ledas in i kapslingen genom lockets öppning. När locket är stängt sluter gummimembranet så tät runt Modbus-kabeln att kapslingen uppfyller IP54.

OJ Air2 Fan IO21 är med sin kapslingsklass IP54 och de temperaturoberoende tryckgivarna konstruerad för montering inne i ventilationsaggregatet. OJ Air2 Fan IO21 fungerar inom temperaturområdet -20/+40 °C, drift (kortvarigt -30/+50 °C).

Modbus-anslutning

Modbus ansluts till OJ Air2 Fan IO21 med RJ12-kontakt i "A" (se fig. 5). Du kan ansluta en OJ EC Styrning eller en OJ frekvensomvandlare direkt till OJ Air2 Fan IO21-modulen. EC Styrning eller frekvensomvandlaren ansluts till kontakt "B" (se fig. 5). Kontakterna "C", "D", "E", "F" (se fig. 6 och 9) är avsedda för anslutning av Direct Modbus styrda spjäll- eller ventilmotorer eller för vidareledning till andra Modbus-utrustningar i aggregatet. OJ Air2 Fan IO21 är också försedd med skruvplintar för anslutning av Modbus, plintarna 1 och 2 (se fig. 1).

Strömförsörjning

24 V AC matningsspänning för OJ Air2 Fan IO21 ska anslutas till plintarna 13 och 14 (se fig. 7 och 8). Den totala belastningen på OJ Air2 Fan IO21-modulen får maximalt vara 3 500 mA. OJ Air2 Fan IO21 kan inte strömförsörjas via RJ12-anslutningen.

Tryckslangar

De två tryckgivarna, markerade med P1 och P2, ansluts med övertrycket / det högsta trycket på plus-stosen och undertrycket / det lägsta trycket på minus-stosen. Se fig. 4. Tryckslangarna ska vara så korta som möjligt och fästas så att vibrationer undviks. För att få optimal tryckmätning ska trycket mätas där det är minsta möjliga risk för turbulent flöde, det vill säga mitt i ventilationskanalerna. Givarna fungerar också med bara en slang monterad på stosarna (+) eller (-), men för att upprätthålla kapslingsklassen bör det finnas slangar på alla slanganslutningarna, om anslutningarna inte är vända nedåt. Om det finns risk för kondensbildning i anslutningslangarna ska OJ Air2 Fan IO21 placeras så att den kondenserade vätskan inte kan rinna tillbaka in i tryckgivaren.

Mätområdet är 0 – 2 500 Pa. Anslutningen av tryckslangarna visas i fig. 4.

Temperaturlingångar

OJ Air2 Fan IO21 är försedd med 2 givaringångar för PT1000-givare (1 000 Ω @ 0 °C). Givare 1 ansluts till ingången "Temp. 1" på plintarna 10 och 11. Givare 2 ansluts till ingången "Temp. 2" på plintarna 11 och 12. Givarnas mätområde är -30 °C - +60 °C. Elanslutningen visas i fig. 8.

Digital ingång

OJ Air2 Fan IO21 är försedd med 1 potentialfri digital ingång för användning för eventuella larm från frekvensomvandlare. Den potentialfria signalen från t.ex. en frekvensomvandlare ansluts till ingången "Alarm IN" [Larm IN] på plintarna 8 och 9. Elanslutningen visas i fig. 8.

Digital utgång

OJ Air2 Fan IO21 är försedd med 1 potentialfri digital reläutgång som t.ex. används för start och stopp av en frekvensomvandlare. Utgången "Operation relay" [Driftrelä] ansluts till plintarna 4 och 5. Elanslutningen visas i fig. 8.

Modbus RTU-utgångar

OJ Air2 Fan IO21 är försedd med 4 RJ12-kontakter (fig. 6) för anslutning av Direct Modbus aktuatorer, spjäll- och ventilmotorer.

Analog utgång

OJ Air2 Fan IO21 är försedd med 1 analog utgång 0 – 10 V DC för användning för t.ex. hastighetsstyrning av frekvensomvandlare. Styrsignalen 0 – 10 V DC ska anslutas på utgången "0-10 V OUT" på plintarna 6 och 7. Elanslutningen visas i fig. 8.

TEKNISKA DATA

Strömförsörjning	24 V AC +/- 15 % på plintar (13 och 14), max 3 500 mA
Elanslutning	skruvplintar, max 1,5 mm ²
Modbus-anslutning	6 RJ12 6/6 topentry kontakter
Modbus-protokoll	38,4 kBaud, 1 startbit, 8 databit, 1 stoppbit
Mätområden, tryck	0 – 2 500 Pa
Digital ingång, för larm från FC	1 st. potentialfri
Tryckringångar	2 st. 0 – 2 500 Pa.
Temperaturlingångar	2 st. PT1000
Digital reläutgång	1 st. potentialfritt relä, max 2 A / 30 V DC
Analog utgång, för styrning till t.ex. EC	1 st. 0 - 10 V DC
Omgivningstemperatur	-20 - +40 °C (drift) (kortvarigt -30 / +50 °C)
Omgivningstemperatur, förvaring	50 / +70 °C
Luftfuktighet, ej kondenserande	10 - 95 % rh
Max. höjd över havet	1 300 m
Tryckgivarnoggrannhet vid -20 / +40 °C	0,5 % MV = +2,5 Pa (MV = Mätvärde)
Tryckgivare maximalt tryck	20 kPa
Egenförbrukning	max 2,5 VA (-20 / +40 °C)
Mått	165 x 110 x 70 mm
Kabeldimension, Modbus	MPFK6S eller motsvarande
Tryckslangar	4 x Ø 6,2
Kapsling, kapslingsklass	IP54
Kapsling, mått	169 x 139 x 71 mm
Kapsling, material	ABS HI 100
Vikt	320 g

DRIFTINDIKERINGAR

OJ Air2 Fan IO21 är försedd med en grön och en röd lysdiod för indikeringar av driftstatus.

LED	ON [TILL]	BLINKAR
GRÖN LED	Power ON (till)	Modbus OK
RÖD LED	Ingen Modbus-kommunikation	I/O-larm

Modbus-adresser

OJ Air2 Fan IO21 kan tilldelas två olika Modbus-adresser: 0x60 (96) och 0x61 (97), och kommunikationsprotokollet: 38,4 kBaud, 1 startbit, 8 databit, 1 stoppbit och ingen paritet. Modbus-adressen ställs in med den blå DIP-omkopplaren (se fig. 11).

Modbusprotokoll

Coil Stat Bits: Stöds ej
Input Stat Bits: Stöds ej

Modbus-kommandon som stöds

(se fig. 12: Hållregister).
(se fig. 13: ingångsregister).

SERVICE OCH UNDERHÅLL

Inget särskilt underhåll krävs.
Kontakta leverantören om det uppstår problem.

MILJÖ OCH AVFALLSHANTERING

Hjälptill till att skydda miljön genom att ta hand om emballage och använda produkter enligt gällande miljöföreskrifter.

Bortskaffning av produkten



Produkter med detta märke får inte slängas som vanliga hushållsopor. De ska samlas in på särskilt sätt enligt gällande nationella och lokala miljöskydds-föreskrifter.

OJ påtar sig inget ansvar för eventuella fel i kataloger, broschyrer och andra trycksaker. OJ förbehåller sig rätten att ändra sina produkter utan föregående meddelande. Detta gäller även för produkter som redan orderlagts, förutsatt att sådana ändringar kan göras utan att efterföljande förändringar är nödvändiga i specifikationer som redan överenskommit. Alla varumärken i det här materialet tillhör respektive företag. OJ och OJ-logotypen är varumärken som tillhör OJ Electronics A/S. Alla rättigheter förbehålls

OJ ELECTRONICS A/S

Stenager 13B · DK-6400 Sønderborg
Tel. +45 73 12 13 14 · Fax: +45 73 12 13 13
oj@ojelectronics.com · www.ojelectronics.com

CE-MÄRKNING

OJ Electronics A/S förklarar under eget ansvar att produkten uppfyller följande EU-direktiv:
LVD Lågspänning
EMC Elektromagnetisk kompatibilitet
RoHS Begränsning av användning av vissa farliga ämnen i elektrisk och elektronisk utrustning

Använda normer

SS-EN 61000-6-2 och SS-EN 61000-6-3.

FELSÖKNING

Symptom	Orsak	Åtgärd
Inget ljus i grön LED	Matningsspänning saknas	Kontrollera matningsspänningen Kontrollera elanslutningarna Kontrollera kontaktarna
	Defekt OJ Air2 Fan IO21	Byt OJ Air2 Fan IO21
Röd LED lyser	Avbrott eller kortslutning i Modbus	Kontrollera elanslutningarna längs hela Modbus
	Fel adress	Ställ in korrekt Modbus-adress på adressväljaren på OJ Air2 Fan IO21, se fig. 11
	Fel kommunikationshastighet	Ställ in kommunikationen: 38,4 kBaud, 1 startbit, 8 databit, 1 stoppbit, ingen paritet
	Defekt OJ Air2 Fan IO21	Byt OJ Air2 Fan IO21
Negativt uppmätt mätvärde (Tryck, Pa)	Slangar förväxlade	Växla anslutningslangarna på anslutningsstosarna plus (+) och minus (-), se fig. 4
	Defekt OJ Air2 Fan IO21	Byt OJ Air2 Fan IO21
Mätavvikelse (Tryck, Pa)	OJ Air2 Fan IO21 är monterad i en temperatur utanför angivet temperaturområde	Anpassa omgivningstemperaturen till det område som anges i denna anvisning. Se tekniska data.
	Bristfällig eller reducerad förbindelse genom mättryckslangar	Kontrollera att mättrycksslangarna är korrekt monterade.
	Tryck saknas i mätpunkter	Starta fläkten
	Defekt OJ Air2 Fan IO21	Byt OJ Air2 Fan IO21
Nollpunktsavvikelse (Tryck, Pa)	Ingen nollkalibrering	Gör OJ Air2 Fan IO21 trycklös, eventuellt genom att lossa båda tryckslangarna, och utför nollkalibrering. Nollpunktkalibreringen utförs med hjälp av Modbus-register 1, adress 0X000, extern kalibrering.
	Defekt OJ Air2 Fan IO21	Byt OJ Air2 Fan IO21
Inget värde på givaringångar (Temp. °C)	Avbrott i givarkretsen	Kontrollera elanslutningar
	Kortsluten givarkrets	Kontrollera elanslutningar
	Fel givartyp	Byt givaren till givartyp: PT1000
	Defekt OJ Air2 Fan IO21	Byt OJ Air2 Fan IO21
Givaringångar visar fel värde (Temp. °C)	Fel givartyp	Byt givaren till givartyp: PT1000
	Defekt OJ Air2 Fan IO21	Byt OJ Air2 Fan IO21
Ingen spänning på utgången 0 – 10 V DC	Felvärd polaritet	Byt polaritet
	Ingen signal från styrningen	Frige 0 – 10 V DC-signalen från styrningen
	Avbrott i signalkretsen	Kontrollera elanslutningar
	Defekt OJ Air2 Fan IO21	Byt OJ Air2 Fan IO21
Ingen signal på digital utgång	Ingen signal från styrningen	Frige signalen från styrningen
	Kortsluten signalkrets	Kontrollera elanslutningar
	Avbrott i signalkretsen	Kontrollera elanslutningar
	Defekt OJ Air2 Fan IO21	Byt OJ Air2 Fan IO21
Ingen signal på digital ingång	Avbrott i signalkretsen	Kontrollera elanslutningar
	Defekt OJ Air2 Fan IO21	Byt OJ Air2 Fan IO21
Konstant signal på digital ingång	Kortsluten signalkrets	Kontrollera elanslutningarna
	Defekt OJ Air2 Fan IO21	Byt OJ Air2 Fan IO21
Spjällmotorn rör sig inte	Fel spjällmotortyp	Kontrollera att spjällmotorn är av en typ som kan styras med Direct Modbus och 24 V DC
	Felinställd adress på spjällmotorn	Ställ in korrekt adress för spjällmotorn. Se proceduren för inställning av Modbus-adress i spjällmotortillverkarens dokumentation.
	Ingen signal från styrningen	Frige signalen från styrningen
	Kortsluten Modbus	Kontrollera elanslutningarna
	Avbrott i Modbus	Kontrollera elanslutningarna
	Defekt OJ Air2 Fan IO21	Byt OJ Air2 Fan IO21
Ventilmotorn rör sig inte	Fel ventilmotortyp	Kontrollera att ventilmotorn är av en typ som kan styras med Direct Modbus och 24 V DC.
	Felinställd adress på ventilmotorn	Ställ in korrekt adress för ventilmotorn. Se proceduren för inställning av Modbusadress i ventilmotortillverkarens dokumentation.
	Ingen signal från styrningen	Frige signalen från styrningen
	Kortsluten Modbus	Kontrollera elanslutningarna
	Avbrott i Modbus	Kontrollera elanslutningarna
	Defekt OJ Air2 Fan IO21	Byt OJ Air2 Fan IO21

Norsk

FIGUROVERSIKT

Fig. figurer finnes bakerst i instruksjonen:

- Fig. 1: Oversikt OJ Air2 Fan IO21, elektriske tilkoblinger og trykkslanger
Fig. 2: Konfigurasjonseksempel
Fig. 3: Målskisse
Fig. 4: Tilkobling av trykkslanger
Fig. 5: Tilkobling av Modbuss og EC/FC
Fig. 6: Elektrisk tilkobling av aktuatorer
Fig. 7: Ekstern ekstra strømforsyning
Fig. 8: Elektrisk tilkobling av EC/FC
Fig. 9: Kontakt-oppsett i kontakt "C", "D", "E" og "F"
Fig. 10: Komplette konfigurasjon (eksempel)
Fig. 11: Modbuss-adresseringsoversikt
Fig. 12: Støttede Modbuss-kommandoer (holding-registre)
Fig. 13: Støttede Modbuss-kommandoer (input-registre)

GENERELT

OJ Air2 Fan IO21 er en inn- og utgangsmodule med RS-485-RTU Modbuss-kommunikasjon, spesielt utformet for montering internt i et ventilasjonsaggregat. OJ Air2 Fan IO21 er utviklet spesielt for tilkobling og styring av Direct Modbuss kontrollerte aktuatorer, spjeld- og ventilmotorer. OJ Air2 Fan IO21 er utstyrt med 4 stk. RJ12 Modbuss-kontakter for Direct Modbuss styrt spjeld- og ventilmotorer (se fig. 6). Fordelen ved Direct Modbuss kontrollerte aktuatorer, spjeld- og ventilmotorer er at man oppnår full integrering av de enkelte aktuatorene, og via tilbakemelding fra aktuatorer, spjeld- og ventilmotorer alltid mottar alarm og melding hvis det skulle oppstå en situasjon, der aktuatorer ikke reagerer som ventet.

OJ Air2 Fan IO21 er utstyrt med 2 stk. trykksensorer (se fig. 4) for overvåking av f.eks. viftedrift og filter, luftmengderegulering samt for oppsamling og distribusjon av alarm- og styresignaler. Signalene i OJ Air2 Fan IO21 og de tilkoblede komponentene er standardsignaler og -komponenter som f.eks. standard PT1000-følere med 0-10 V DC modulerende styresignal.

PRODUKTPROGRAM

TYPE	PRODUKT
OJ Air2 Fan IO21	Vifte input/output-modul, Direct Modbuss, IP54, 2500 Pa

FUNKSJON

OJ Air2 Fan IO21 kan med fordel erstatte tradisjonelle, lange elektriske kabelforbindelser og sparer dermed både materialer og installasjonstid. Spesielt ved OJ Air2 Fan IO21 er at de Direct Modbuss styrt spjeld- og ventilmotorer kan tilkobles direkte i OJ Air2 Fan IO21 i de 4 innbygde RJ12 Modbuss-kontaktene (se fig. 6). OJ Air2 Fan IO21 samler alle signalene i forbindelse med et ventilasjonsaggregat (se fig. 2). Både elektriske og mekaniske signaler og målinger konverteres til datakommunikasjon. Via en standard kommunikasjonsprotokoll (RS-485 Modbuss RTU) blir signalene sendt til regulatoren som behandler alarmer, styrer og regulerer et ventilasjonsanlegg (se fig. 10). Typiske signaler som skal sendes mellom regulatoren eller BMS-systemet og aggregatet, er signaler vedr. tilluftstemperatur, avtrekkstemperatur, filterovervåking, differansetrykk og flowvakt på tilluftsvifte, spjeldmotor for tilluft, spjeldmotor for utsugingsluft, 0-10 V DC-hastighetssignal på frekvensomformer til vifter, alarmsignal fra frekvensomformer og driftsignal til ventilatorens frekvensomformer. OJ Air2 Fan IO21 samler alle disse elektriske og mekaniske signalene og sender disse signalene via RS-485 Modbuss RTU til Masteren eller BMS-systemet.

KAPSLING

For å overholde kapslingsklasse IP54 må alle slangestusser være montert med slanger, og alle gummimembraner for kabelgjennomføringer skal være i bruk eller proppet med blindpropper i minimum kapslingsklasse IP54, slik at kapslingen som et minimum svarer til produktets IP54. Kapslingen åpnes og lukkes enkelt med den praktiske énhåndbetjente smekklåsen. Mål (se fig. 3)

INSTALLASJON

OJ Air2 Fan IO21 bør plasseres strategisk og sentralt, slik at forbindelsen til de aktuelle inn- og utgangssignalene blir kortest mulig, og eneste forbindelse mellom Master, PLC eller andre former for regulerenheter er bare en RS-485 RTU Modbuss-kommunikasjon (se fig. 5). OJ Air2 Fan IO21 monteres med 3 skruer (se fig. 3) på en plan flate mellom de 3 skruene og kan monteres valgfritt i alle retninger uten at nøyaktigheten blir påvirket. OJ Air2 Fan IO21 er godkjent i kapslingsklasse IP54 med 4 stk. stusser for tilkobling av myke plastslanger for måling av differanse- eller over-/undertrykk. Dessuten er OJ Air2 Fan IO21 utstyrt med 5 stk. åpne gummimembraner for gjennomføring av elektriske kabler. Kapslingen er både på lokket og den nederste kanten utstyrt med en gummimembran, slik at Modbuss-kabel (flatkabel; kabeltype MPFK6S eller tilsvarende) kan føres inn i kapslingen gjennom åpningen i lokket. Når lokket er stengt, sitter gummimembranen så tett omkring Modbuss-kabelen at kapslingen overholder IP54.

OJ Air2 Fan IO21 er pga. kapslingsklasse IP54 og temperaturuavhengige trykksensorer konstruert for montering inne i ventilasjonsaggregatet. OJ Air2 Fan IO21 fungerer innenfor temperaturområdet -20/+40 °C, drift (kortvarig -30/+50 °C).

Modbuss-tilkobling

Modbuss tilkobles OJ Air2 Fan IO21 med RJ12-støpsel i "A" (se fig. 5). Det kan kobles en OJ EC Regulator eller en OJ frekvensomformer direkte til OJ Air2 Fan IO21-modulen. EC Regulator eller frekvensomformer kobles til kontakt "B." (se fig. 5). Kontakt "C", "D", "E", "F" (se fig. 6 og 9) er for tilkobling av Direct Modbuss styrt spjeld- eller ventilmotorer eller viderekobling til annet Modbuss-utstyr i aggregatet. OJ Air2 Fan IO21 er dessuten utstyrt med skruklemmes for tilkobling av Modbuss, klemme 1 og 2 (se fig. 1).

Matespenning

24 V AC matespenning til OJ Air2 Fan IO21 må tilkobles klemme 13 og 14 (se fig. 7 og 8). Den totale belastningen på OJ Air2 Fan IO21-modulen kan være maks. 3500 mA. OJ Air2 Fan IO21 kan ikke få spenning via RJ12-tilkoblingen.

Trykkslanger

De 2 trykksensorerne, markert med P1 og P2, tilkobles hhv. med overtrykk/det høyeste trykket på +-stussen og undertrykk/det laveste trykket på +-stussen (se fig. 4). Trykkslangene må være så korte som mulig, og festes slik at man unngår vibrasjoner. Av hensyn til optimal trykkmåling må trykket måles der det er minst mulig risiko for turbulent strømning; det vil si midt i ventilasjonskanalene. Transmitterne fungerer også med kun én slange montert på stussene (+ eller -), men for å overholde kapslingsklassen bør det være slanger på alle slangestussene hvis tilkoblingsstussene ikke vender ned. Hvis det er fare for kondensdannelse i tilkoblingsledningene, må OJ Air2 Fan IO21 plasseres slik at den kondenserte væsken ikke kan renne tilbake og inn i trykksensoren.

Måleområdet er 0-2500 Pa.

Tilkobling av trykkslanger ses på fig. 4.

Temperaturinnnganger

OJ Air2 Fan IO21 er utstyrt med 2 stk. følerinnnganger for PT1000-følere (1000 Ω ved 0 °C). Føler 1 monteres på "Temp. 1"-inngangen på klemmene 10 og 11. Føler 2 monteres på "Temp. 2"-inngangen på klemmene 11 og 12. Måleområdet for følerne er -30 °C - +60 °C. Elektrisk tilkobling ses på fig. 8.

Digital inngang

OJ Air2 Fan IO21 er utstyrt med 1 stk. potensialfri digital inngang til bruk for ev. alarm fra frekvensomformer. Potensialfritt signal fra f.eks. frekvensomformer tilkobles på "Alarm IN"-inngangen på klemmene 8 og 9. Elektrisk tilkobling ses på fig. 8.

Digital utgang

OJ Air2 Fan IO21 er utstyrt med 1 stk. potensialfri digital reléutgang som f.eks. brukes til å starte/stoppe frekvensomformer. "Operasjon relé"-utgangen monteres på klemmene 4 og 5. Elektrisk tilkobling ses på fig. 8.

Modbuss RTU-utganger

OJ Air2 Fan IO21 er utstyrt med 4 stk. RJ12 kontakter (fig. 6) for tilkobling av Direct Modbuss aktuatorer, spjeld- og ventilmotorer.

Analog utgang

OJ Air2 Fan IO21 er utstyrt med 1 stk. 0-10 V DC, analog utgang til bruk for ev. hastighetsregulering av frekvensomformer. 0-10 V DC styresignal tilkobles på "0-10 V OUT"-utgangen på klemmene 6 og 7. Elektrisk tilkobling ses på fig. 8.

TEKNISKE DATA

Matespenning	24 V AC +/- 15 %
..... på terminaler (13 og 14), maks. 3500 mA	
Elektrisk tilkobling	maks. 1,5 mm ² , skrueterminaler
Modbuss-tilkobling	6 stk. RJ12 6/6 "top-entry" pluggtilkoblinger
Modbuss-protokoll	38,4 kBaud, 1 startbit, 8 databit, 1 stoppbit.
Måleområder trykk	0/2500 Pa
Digital inngang	
for alarm fra FC	1 stk. potensialfri
Trykkinnganger	2 stk. PT1000
Temperaturinnnganger	2 stk. PT1000
Digital reléutgang	1 stk. pot. fritt relé, maks. 2 A/30 V DC

Analog utgang,	
for regulator til f.eks. EC	1 stk. 0-10 V DC
Omgivelsestemperatur	-20/+40 °C (drift)
(kortvarig -30/+50 °C)	
Omgivelsestemperatur, oppbevaring ..	-50/+70 °C
Luftfuktighet, ikke kondenserende	10-95 % rh
Maks. høyde over havet	1300 m
Trykksensormøyaktighet	
ved -20/+40 °C	0,5 % MV +2,5 Pa (MV = Målt verdi)
Trykksensorer, maksimalt trykk	20 kPa
Eget forbruk	maks. 2,5 VA (-20/+40 °C)
Dimensjoner	165 x 110 x 70 mm
Kabeldimensjon, Modbuss	MPFK6S eller tilsvarende
Trykkslanger	4 x ø 6,2
Kapsling, tetthetsgrad	IP54
Kapsling, mål	169 x 139 x 71 mm
Kapsling, materiale	ABS HI 100
Vekt	320 g

DRIFTSVISNINGER

OJ Air2 Fan IO21 er utstyrt med én grønn og én rød LED for visning av driftsstatus.

LED	PÅ	BLINK
GRØNN LED	Strøm PÅ	Modbuss OK
RØD LED	Ingen Modbuss-kommunikasjon	I/O Alarm

Modbuss-adresser

OJ Air2 Fan IO21 kan settes opp til 2 ulike Modbuss-adresser: 0x60 (96) og 0x61 (97), og kommunikasjonsprotokollen: 38,4 kBAud, 1 startbit, 8 databits, 1 stoppbit og ingen paritet. Modbuss-adressen innstilles med den blå DIP-switchen (se fig. 11).

Modbuss-protokoll

Coil Stat Bits: Ikke støttet
Input Stat Bits: Ikke støttet

Støttede Modbuss-kommandoer

(se fig. 12: Holding-registre).
(se fig. 13: Input-registre).

SERVICE OG VEDLIKEHOLD

Ingen spesielle krav til vedlikehold.
Kontakt vennligst leverandøren i tilfelle av problemer.

MILJØ OG FJERNING AV AVFALL

Vær med på å beskytte miljøet ved å avhende emballasje og brukte produkter på en miljøriktig måte.

Avhending av produktet



Produkter med dette merket må ikke avhendes som alminnelig husholdningsavfall, men må samles inn særskilt i henhold til gjeldende lokale regler.

OJ kan ikke ta på seg ansvar for eventuelle feil i kataloger, brosjyrer og annet trykt materiale. OJ forbeholder seg retten til å gjøre endringer på produktene uten forutgående varsel. Dette gjelder også produkter som allerede er bestilt så lenge disse endringene kan utføres uten at det medfører endringer i spesifikasjoner som allerede er avtalt. Alle varemerker i dette materialet tilhører respektive selskaper. OJ og logotypen til OJ er varemerker som tilhører OJ Electronics A/S. Ettertrykk forbudt.

OJ ELECTRONICS A/S

Stenager 13B · DK-6400 Sønderborg
Tel. +45 73 12 13 14 · Fax: +45 73 12 13 13
oj@ojelectronics.com · www.ojelectronics.com

CE-MERKING

OJ Electronics A/S erklærer under ansvar at dette produktet oppfyller følgende Europaparlamentsdirektiver:

LVD Lavspenning
EMC Elektromagnetisk kompatibilitet
RoHS Begrensning av bruk av visse farlige stoffer i elektrisk og elektronisk utstyr

Benyttede standarder

EN 61000-6-2 og EN 61000-6-3.

FEILSØKING

Symptom	Årsak	Handling
Ikke lys i grønn LED	Manglende matespenning	Kontroller matespenning Kontroller elektriske forbindelser Kontroller kontakter
	Defekt OJ Air2 Fan IO21	Skift OJ Air2 Fan IO21
Rød LED lyser	Avbrutt/kortsluttet Modbuss	Kontroller elektriske kontakter på hele lengden av Modbuss
	Feil adresse	Innstill korrekt Modbuss-adresse på adressevelger i OJ Air2 Fan IO21, se fig. 11
	Gal kommunikasjonshastighet	Innstill kommunikasjon: 38,4 kBAud, 1 startbit, 8 databit, 1 stoppbit, ingen paritet
	Defekt OJ Air2 Fan IO21	Skift OJ Air2 Fan IO21
Negativ vist måleverdi (Trykk, Pa)	Slanger byttet om	Bytt om tilslutningslanger på pluss (+) og minus (-) tilkoblingsstuss, se fig. 4
	Defekt OJ Air2 Fan IO21	Skift OJ Air2 Fan IO21
Måleavvik (Trykk, Pa)	OJ Air2 Fan IO21 er plassert i temperatur utenfor angitt temperaturområde	Tilpass omgivelsestemperatur til det området som er angitt i denne instruksjonen. Se tekniske spesifikasjoner.
	Manglende eller redusert forbindelse gjennom måletrykkslanger	Kontroller måletrykkslanger for riktig montasje.
	Manglende trykk på målepunkter	Start viften
	Defekt OJ Air2 Fan IO21	Skift OJ Air2 Fan IO21
Nullpunktsavvik (Trykk, Pa)	Manglende null-kalibrering	Gjør OJ Air2 Fan IO21 trykkløs - ev. ved å fjerne begge trykkslangene, og utfør null-kalibrering. Nullpunkt-kalibrering utføres vha. Modbuss-register 1, adresse 0X000, ekstern kalibrering.
	Defekt OJ Air2 Fan IO21	Skift OJ Air2 Fan IO21
Ingen verdi på følerinn ganger (Temp. °C)	Avbrutt følerkrets	Kontroller elektriske forbindelser
	Kortsluttet følerkrets	Kontroller elektriske forbindelser
	Gal følertype	Bytt føler med følertype: PT1000
	Defekt OJ Air2 Fan IO21	Skift OJ Air2 Fan IO21
Følerinn ganger viser feil verdi (Temp. °C)	Gal følertype	Bytt føler med følertype: PT1000
	Defekt OJ Air2 Fan IO21	Skift OJ Air2 Fan IO21
Ingen spenning på 0-10 V DC-utgangen	Polarisering vendt galt	Bytt om polarisering
	Manglende signal fra regulator	Frigi 0-10 V DC signal fra regulatoren
	Avbrutt signalkrets	Kontroller elektriske forbindelser
	Defekt OJ Air2 Fan IO21	Skift OJ Air2 Fan IO21
Ikke signal på digital utgang	Manglende signal fra regulator	Frigi signal fra regulatoren
	Kortsluttet signalkrets	Kontroller elektriske forbindelser
	Avbrutt signalkrets	Kontroller elektriske forbindelser
	Defekt OJ Air2 Fan IO21	Skift OJ Air2 Fan IO21
Ikke signal på digital inngang	Avbrutt signalkrets	Kontroller elektriske forbindelser
	Defekt OJ Air2 Fan IO21	Skift OJ Air2 Fan IO21
Konstant signal på digital inngang	Kortsluttet signalkrets	Kontroller elektriske forbindelser
	Defekt OJ Air2 Fan IO21	Skift OJ Air2 Fan IO21
Spjeldmotor kjører ikke	Feil type spjeldmotor	Kontroller at spjeldmotoren er en type som kan styres med Direct Modbuss og 24 V DC
	Feil innstilt adresse på spjeldmotoren	Innstill den riktige adressen på spjeldmotoren. Se prosedyren for innstilling av Modbuss-adresse i spjeldmotorprodusentens dokumentasjon.
	Manglende signal fra regulator	Frigi signal fra regulatoren
	Kortsluttet Modbuss	Kontroller elektriske forbindelser
	Avbrutt Modbuss	Kontroller elektriske forbindelser
	Defekt OJ Air2 Fan IO21	Skift OJ Air2 Fan IO21
Ventilmotor kjører ikke	Feil type ventilmotor	Kontroller at ventilmotoren er en type som kan styres med Modbuss og 24 V DC
	Feil innstilt adresse på ventilmotoren	Innstill den riktige adressen på ventilmotoren. Se prosedyren for innstilling av Modbuss-adresse i ventilmotorprodusentens dokumentasjon.
	Manglende signal fra regulator	Frigi signal fra regulatoren
	Kortsluttet Modbuss	Kontroller elektriske forbindelser
	Avbrutt Modbuss	Kontroller elektriske forbindelser
	Defekt OJ Air2 Fan IO21	Skift OJ Air2 Fan IO21

Dansk

FIGUROVERSIGT

- Fig. figurer findes bagest i instruktionen:
Fig. 1: Oversigt OJ Air2 Fan IO21, elektriske forbindelser og trykslanger
Fig. 2: Konfigurationseksempel
Fig. 3: Målskitse
Fig. 4: Tilslutning af trykslanger
Fig. 5: Tilslutning af Modbus og EC/FC
Fig. 6: Elektrisk tilslutning af aktuatorer
Fig. 7: Ekstern supplerende strømforsyning
Fig. 8: Elektrisk tilslutning af EC/FC
Fig. 9: Stikudlægning i stik "C", "D", "E" & "F"
Fig. 10: Komplet konfiguration (eksempel)
Fig. 11: Modbus-adresseringsoversigt
Fig. 12: Understøttede Modbus-kommandoer (holdingregistre)
Fig. 13: Understøttede Modbus-kommandoer (inputregistre)

GENERELT

OJ Air2 Fan IO21 er et ind- og udgangsmodul med RS-485 RTU Modbus-kommunikation, specielt designet til montering internt i et ventilationsaggregat. OJ Air2 Fan IO21 er udviklet specielt for tilslutning og styring af Direct Modbus kontrollerede aktuatorer, spjæld- og ventilmotorer. OJ Air2 Fan IO21 er forsynet med 4 stk. RJ12 Modbus-stik for Direct Modbus styrede spjæld- og ventilmotorer (se fig. 6). Fordelen ved Direct Modbus kontrollerede aktuatorer, spjæld- og ventilmotorer er, at man opnår fuld integrering af de enkelte aktuatorer og via tilbagemeldinger fra aktuatorer, spjæld- og ventilmotorer altid modtager alarm- og meddelelse, hvis der skulle opstå en situation, hvor aktuatoren ikke reagerer som forventet. OJ Air2 Fan IO21 er forsynet med 2 stk. tryktransmittere (se fig. 4) for overvågning af f.eks. ventilatordrift og filter, luftmængderegulering samt til opsamling og distribution af alarm- og styresignaler. Signalerne i OJ Air2 Fan IO21 og de tilsluttede komponenter er standard-signaler og -komponenter såsom standard PT1000 følere med 0-10 V DC modulerende styresignal.

PRODUKTPROGRAM

TYPE	PRODUKT
OJ Air2 Fan IO21	Ventilator input/output modul, Direct Modbus, IP54, 2500 Pa

FUNKTION

OJ Air2 Fan IO21 erstatter med fordel traditionelle lange elektriske kabelforbindelser og sparer derved både materialer og installationstid. Specielt ved OJ Air2 Fan IO21 er, at de Direct Modbus styrede spjæld- og ventilmotorer kan tilsluttes direkte i OJ Air2 Fan IO21 i de 4 indbyggede RJ12 Modbus-stik (se fig. 6). OJ Air2 Fan IO21 samler alle signaler i forbindelse med et ventilationsaggregat (se fig. 2). Elektriske såvel som mekaniske signaler og målinger konverteres til datakommunikation. Via en standard kommunikationsprotokol (RS-485 Modbus RTU) sendes signaler til regulatoren, der alarmbehandler, styrer og regulerer et ventilationsanlæg (se fig. 10).

Typiske signaler, som skal sendes mellem regulatoren eller BMS-systemet og aggregatet, er signaler vedr. indblæsningstemperatur, udsugningstemperatur, filterovervågning, differenstryk og flowvagt på indblæsningsventilator, spjældmotor for indblæsningsluft, spjældmotor for udsugningsluft, 0-10 VDC-hastighedssignal fra frekvensomformer til ventilatorer, alarmsignal fra frekvensomformer og driftsignal til ventilatorens frekvensomformer.

OJ Air2 Fan IO21 samler alle disse elektriske og mekaniske signaler og sender disse signaler via RS-485 Modbus RTU til Masteren eller BMS-systemet.

KAPSLING

For at overholde kapslingsklasse IP54 skal alle slangestudse være monteret med slanger, og alle gummimembraner for kabelgennemføringer skal være i brug eller aflændet med blindforskringer i minimum kapslingsklasse IP54, så kapslingen som et minimum svarer til produktets IP54.

Kapslingen åbnes og lukkes nemt med den praktiske énhåndbetjente snaplåseanordning. Mål (se fig. 3)

INSTALLATION

OJ Air2 Fan IO21 bør placeres strategisk og centralt, således at forbindelsen til de aktuelle ind- og udgangssignaler bliver kortest mulig, og eneste forbindelse mellem Master, PLC eller anden form for regulatorenhed er blot en RS-485 RTU Modbus-kommunikation (se fig. 5).

OJ Air2 Fan IO21 monteres med 3 skrue (se fig. 3) på en plan flade mellem de 3 skrue og kan monteres valgfrit i alle retninger uden at nøjagtigheden påvirkes.

OJ Air2 Fan IO21 er godkendt kapslingsklasse IP54 med 4 stk. tilslutningsstudse for tilslutning af bløde plastslanger for måling af differens eller over-/undertryk. Derudover er OJ Air2 Fan IO21 forsynet med 5 stk. åben gummimembran for gennemføring af elektriske kabler. Kapslingen er både på låget og dens nederste kant forsynet med en gummimembran, således at Modbus-kabel (Fladkabel; kabeltype MP-FK6S eller tilsvarende) kan føres ind i kapslingen gennem lågåbningen. Når låget er lukket, slutter gummimembranen så tæt omkring Modbus-kablet, at kapslingen overholder IP54.

OJ Air2 Fan IO21 er i kraft af kapslingsklasse IP54 samt de temperaturuafhængige tryktransmittere, designet til montage internt i ventilationsaggregatet. OJ Air2 Fan IO21 fungerer inden for temperaturområdet -20/+40 °C, drift (kortvarigt -30/+50 °C).

Modbus-tilslutning

Modbus tilsluttes OJ Air2 Fan IO21 med RJ12-stik i "A" (se fig. 5). Der kan tilsluttes en OJ EC Controller eller en OJ frekvensomformer direkte til OJ Air2 Fan IO21 modulet. EC Controller eller frekvensomformer tilsluttes stik "B" (se fig. 5). Stik "C", "D", "E", "F" (se fig. 6 & 9) er for tilslutning af Direct Modbus styrede spjæld- eller ventilmotorer eller videresløjning til andet Modbus-udstyr i aggregatet. OJ Air2 Fan IO21 er ligeledes forsynet med skruesklemmer for tilslutning af Modbus, klemme 1 & 2 (se fig. 1).

Forsyningsspænding

24 V AC forsyningsspænding til OJ Air2 Fan IO21 skal tilsluttes klemme 13 og 14 (se fig. 7 & 8). Den samlede belastning på OJ Air2 Fan IO21-modulet må maks. være 3500 mA. OJ Air2 Fan IO21 kan ikke spændingsforsynes via RJ12-tilslutningen.

Trykslanger

De 2 tryktransducere, markeret med P1 og P2, tilsluttes med hhv. overtryk/det højeste tryk på +-studsen og undertryk/det laveste tryk på +-studsen (se fig. 4). Trykslangerne skal være så korte som muligt og fastgøres, så vibrationer undgås. Af hensyn til optimal trykmåling skal trykket måles, hvor der er mindst mulig risiko for turbulent strømning, hvilket vil sige midt i ventilationskanalerne. Transmitterne fungerer også med kun én slange monteret på studsene (+ eller -), men af hensyn til opretholdelsen af kapslingsgraden bør der være slanger på alle slangetilslutninger, hvis tilslutningerne ikke vender nedad. Hvis der er fare for kondensdannelse i tilslutningsslanger, skal OJ Air2 Fan IO21 placeres således, at den kondenserende væske ikke kan løbe tilbage og ind i tryktransducere.

Måleområdet er 0-2500 Pa. Tilslutning af trykslanger fremgår af fig. 4.

Temperaturindgange

OJ Air2 Fan IO21 er forsynet med 2 stk. følerindgange for PT1000 følere (1000 Ω @ 0 °C). Føler 1 monteres på "Temp. 1" indgangen på klemmerne 10 & 11. Føler 2 monteres på "Temp. 2" indgangen på klemmerne 11 & 12. Måleområdet for følerne er -30 °C - +60 °C. Elektrisk tilslutning fremgår af fig. 8.

Digital indgang

OJ Air2 Fan IO21 er forsynet med 1 stk. potentialfri digital indgang til brug for evt. alarm fra frekvensomformer. Potentialfrit signal fra f.eks. frekvensomformer tilsluttes på "Alarm IN" indgangen på klemmerne 8 & 9. Elektrisk tilslutning fremgår af fig. 8.

Digital udgang

OJ Air2 Fan IO21 er forsynet med 1 stk. potentialfri digital relæudgang som f.eks. bruges til start/stop af frekvensomformer. "Operation relay"-udgangen monteres på klemmerne 4 & 5. Elektrisk tilslutning fremgår af fig. 8.

Modbus RTU-udgange

OJ Air2 Fan IO21 er forsynet med 4 stk. RJ12 stik (fig. 6) for tilslutning af Direct Modbus aktuatorer, spjæld- og ventilmotorer.

Analog udgang

OJ Air2 Fan IO21 er forsynet med 1 stk. 0-10 V DC, analog udgang til brug for evt. hastighedsregulering af frekvensomformer. 0-10 V DC styresignal tilsluttes på "0-10 V OUT"-udgangen på klemmerne 6 & 7. Elektrisk tilslutning fremgår af fig. 8.

TEKNISKE DATA

Forsyningsspænding	24 V AC +/- 15 % på terminaler (13&14), maks. 3500 mA
Elektrisk tilslutning	maks. 1,5 mm ² , skrueterminaler
Modbus-tilslutning	6 stk. RJ12 6/6 topentry stikforbindelser
Modbus-protokol	38,4 kBaund, 1 startbit, 8 databit, 1 stopbit.
Måleområder, tryk	0/2500 Pa
Digital indgang, for alarm fra FC	1 stk. potentialfri
Trykindgange.....	2 stk. 0-2500 Pa.
Temperaturindgange.....	2 stk. PT1000
Digital relæudgang	1 stk. pot. fri relæ, maks. 2 A/30 V DC

Analog udgang, for controller til f.eks. EC	1 stk. 0-10 V DC
Omgivelsestemperatur.....	-20/+40 °C (drift) (kortvarigt -30/+50 °C)
Omgivelsestemperatur, opbevaring	-50/+70 °C
Luftfugtighed, ikke kondenserende.....	10-95 %rh
Maks. højde over havet	1300 m
Tryktransducernøjagtighed @ -20/+40°C	0,5 % MV +2,5 Pa (MV = Målt værdi)
Tryktransducer maksimalt tryk	20 kPa
Egetforbrug	maks. 2,5 VA (-20/+40 °C)
Dimensioner	165 x 110 x 70 mm
Kabeldimension, Modbus.....	MPFK6S eller tilsvarende
Trykslanger	4 x ø 6,2
Kapsling, tæthedsgrad	IP54
Kapsling, mål	169 x 139 x 71 mm
Kapsling, materiale	ABS HI 100
Vægt	320 g

DRIFTINDIKERINGER

OJ Air2 Fan IO21 er forsynet med én grøn og én rød LED for indikeringer af driftstatus.

LED	ON	BLINK
GRØN LED	Power ON	Modbus OK
RØD LED	Ingen Modbus-kommunikation	I/O Alarm

Modbus-adresser

OJ Air2 Fan IO21 kan opsættes til 2 forskellige Modbus-adresser: 0x60 (96) og 0x61 (97), og kommunikationsprotokollen: 38,4 kBaud, 1 startbit, 8 databit, 1 stopbit og ingen paritet. Modbus-adressen indstilles med den blå DIP-switch (se fig. 11).

Modbus-protokol

Coil Stat Bits: Ikke supporteret
Input Stat Bits: Ikke supporteret

Supporterede Modbus-kommandoer

(se fig. 12: Holdingregistre).
(se fig. 13: Inputregistre).

SERVICE OG VEDLIGEHOLD

Ingen særlig vedligehold kræves.
Kontakt venligst leverandøren i tilfælde af problemer.

MILJØ OG BORTSKAFFELSE

Hjælp med at beskytte miljøet ved at bortskaffe emballage og brugte produkter på en miljørigtig måde.

Bortskaffelse af produktet



Produkter med dette mærke må ikke bortskaffes som almindeligt husholdningsaffald, men skal indsamles særskilt i henhold til gældende lokale regler.

OJ påtager sig intet ansvar for mulige fejl i kataloger, brochurer og andet trykt materiale. OJ forbeholder sig ret til uden forudgående varsel at foretage ændringer i sine produkter, herunder i produkter, som allerede er i ordre, såfremt dette kan ske uden at ændre allerede aftalte specifikationer. Alle varemærker i dette materiale tilhører de respektive virksomheder. OJ og OJ logoet er varemærker tilhørende OJ Electronics A/S. Alle rettigheder forbeholdes.

OJ ELECTRONICS A/S

Stenager 13B · DK-6400 Sønderborg
Tel. +45 73 12 13 14 · Fax: +45 73 12 13 13
oj@ojelectronics.com · www.ojelectronics.com

CE MÆRKNING

OJ Electronics A/S erklærer under ansvar, at produktet opfylder følgende af Europa-Parlamentets direktiver:
LVD Lavspænding
EMC Elektromagnetisk kompatibilitet
RoHS Begrænsning af anvendelsen af visse farlige stoffer i elektrisk og elektronisk udstyr.

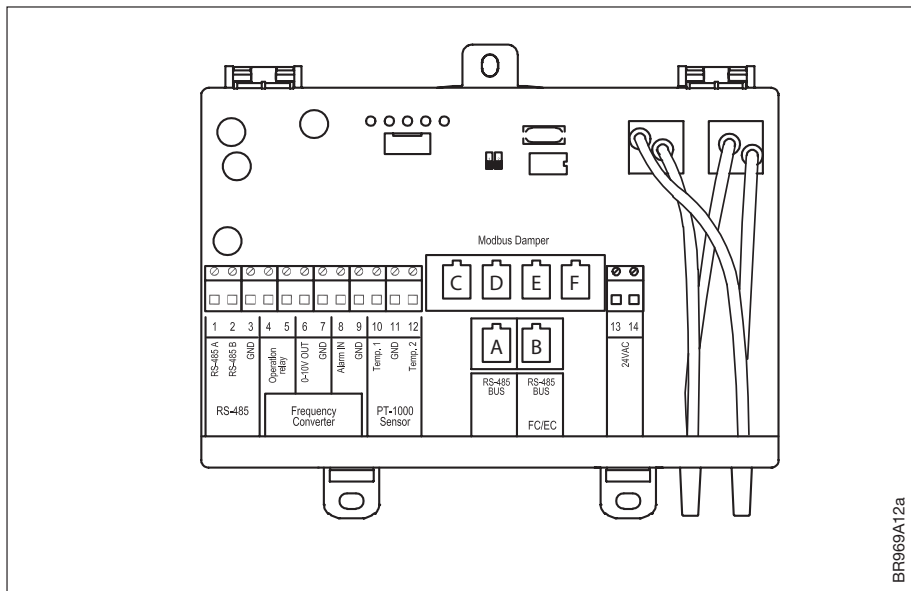
Benyttede standarder

EN 61000-6-2 og EN 61000-6-3.

FEJLFINDING

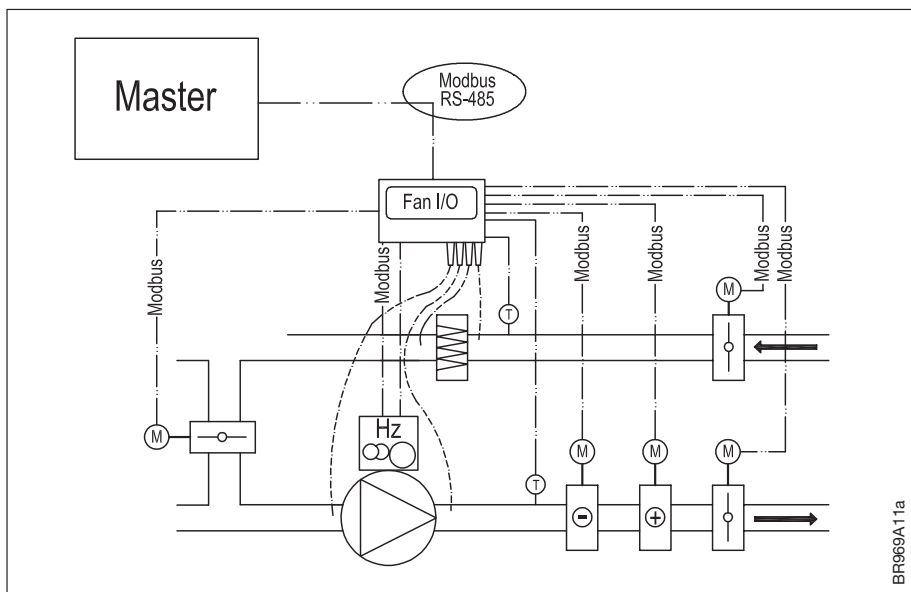
Symptom	Årsag	Handling
Intet lys i grøn LED	Manglende forsyningsspænding	Kontroller forsyningsspænding Kontroller elektriske forbindelser Kontroller stikforbindelser
	Defekt OJ Air2 Fan IO21	Udskift OJ Air2 Fan IO21
Rød LED lyser	Afbrudt/kortsluttet Modbus	Kontroller elektriske forbindelser på hele længden af Modbus
	Forkert adresse	Indstil korrekt Modbus-adresse på adressevælger i OJ Air2 Fan IO21, se fig. 11
	Forkert kommunikationshastighed	Indstil kommunikation : 38,4 kBaud, 1 startbit, 8 databit, 1 stopbit, ingen paritet
Negativ udlæst måleværdi (Tryk, Pa)	Defekt OJ Air2 Fan IO21	Udskift OJ Air2 Fan IO21
	Slanger forbyttet	Ombyt tilslutningslanger på plus (+) og minus (-) tilslutningsstuds, se fig. 4
Måleafvigelse (Tryk, Pa)	Defekt OJ Air2 Fan IO21	Udskift OJ Air2 Fan IO21
	OJ Air2 Fan IO21 er placeret i temperatur uden for angivet temperaturområde	Tilpas omgivelsestemperatur til det i denne instruktion angivne område. Se tekniske specifikationer.
	Manglende eller reduceret forbindelse gennem måletryksslanger	Kontroller måletryksslanger for rigtig montage.
	Manglende tryk på målepunkter	Start ventilatoren
Nulpunktsafvigelse (Tryk, Pa)	Defekt OJ Air2 Fan IO21	Udskift OJ Air2 Fan IO21
	Manglende nul-kalibrering	Gør OJ Air2 Fan IO21 trykløs evt. ved at fjerne begge tryksslanger og udfør nul-kalibrering. Nulpunktkalibrering udføres vha. Modbus-register 1, adresse 0X000, ekstern kalibrering.
Ingen værdi på følerindgange (Temp. °C)	Defekt OJ Air2 Fan IO21	Udskift OJ Air2 Fan IO21
	Afbrudt følerkreds	Kontroller elektriske forbindelser
	Kortsluttet følerkreds	Kontroller elektriske forbindelser
	Forkert følertype	Udskift føler med følertype: PT1000
Følerindgange viser forkert værdi (Temp. °C)	Defekt OJ Air2 Fan IO21	Udskift OJ Air2 Fan IO21
	Forkert følertype	Udskift føler med følertype: PT1000
Ingen spænding på 0-10 V DC udgangen	Defekt OJ Air2 Fan IO21	Udskift OJ Air2 Fan IO21
	Polarisering vendt forkert	Ombyt polarisering
	Manglende signal fra controller	Frigiv 0-10 V DC signal fra controlleren
	Afbrudt signalkreds	Kontroller elektriske forbindelser
Ingen signal på digital udgang	Defekt OJ Air2 Fan IO21	Udskift OJ Air2 Fan IO21
	Manglende signal fra controller	Frigiv signal fra controlleren
	Kortsluttet signalkreds	Kontroller elektriske forbindelser
	Afbrudt signalkreds	Kontroller elektriske forbindelser
Ingen signal på digital indgang	Defekt OJ Air2 Fan IO21	Udskift OJ Air2 Fan IO21
	Afbrudt signalkreds	Kontroller elektriske forbindelser
Konstant signal på digital indgang	Defekt OJ Air2 Fan IO21	Udskift OJ Air2 Fan IO21
	Kortsluttet signalkreds	Kontroller elektriske forbindelser
Spjældmotor kører ikke	Defekt OJ Air2 Fan IO21	Udskift OJ Air2 Fan IO21
	Forkert type spjældmotor	Kontroller at spjældmotoren er en type, der kan styres med Direct Modbus og 24 V DC
	Forkert indstillet adresse på spjældmotoren	Indstil den rigtige adresse på spjældmotoren. Se proceduren for indstilling af Modbus-adresse i spjældmotorproducentens dokumentation.
	Manglende signal fra controller	Frigiv signal fra controlleren
	Kortsluttet Modbus	Kontroller elektriske forbindelser
	Afbrudt Modbus	Kontroller elektriske forbindelser
Ventilmotor kører ikke	Defekt OJ Air2 Fan IO21	Udskift OJ Air2 Fan IO21
	Forkert type ventilmotor	Kontroller, at ventilmotoren er en type, der kan styres med Modbus og 24 V DC
	Forkert indstillet adresse på ventilmotoren	Indstil den rigtige adresse på ventilmotoren. Se proceduren for indstilling af Modbus-adresse i ventilmotorproducentens dokumentation.
	Manglende signal fra controller	Frigiv signal fra controlleren
	Kortsluttet Modbus	Kontroller elektriske forbindelser
Afbrudt Modbus	Kontroller elektriske forbindelser	
Defekt OJ Air2 Fan IO21	Udskift OJ Air2 Fan IO21	

Fig. 1: OJ Air2 Fan IO21 outline showing electrical connections and pressure tubes



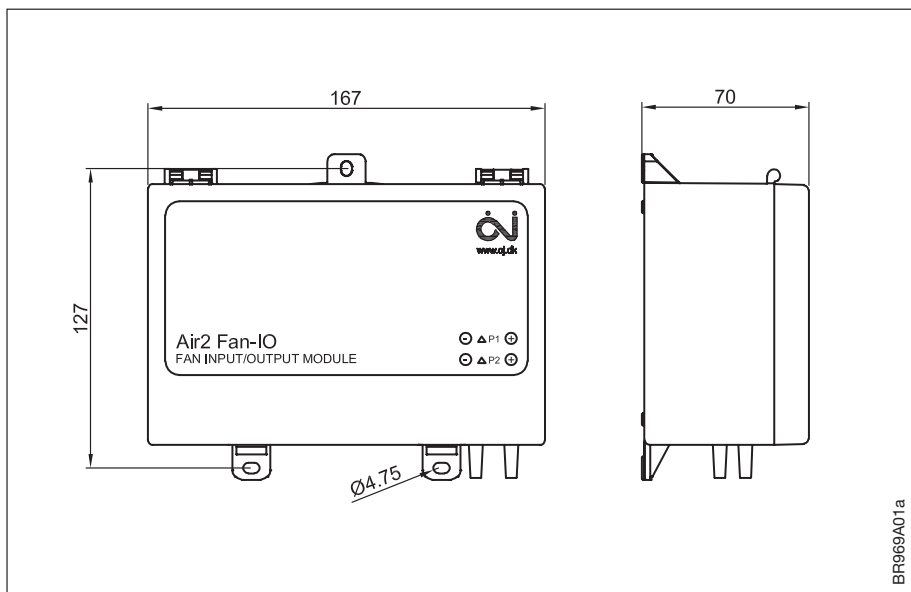
BR969A12a

Fig. 2: Configuration example



BR969A11a

Fig. 3: Dimensioned drawing



BR969A01a

Fig. 4: Connection of pressure tubes

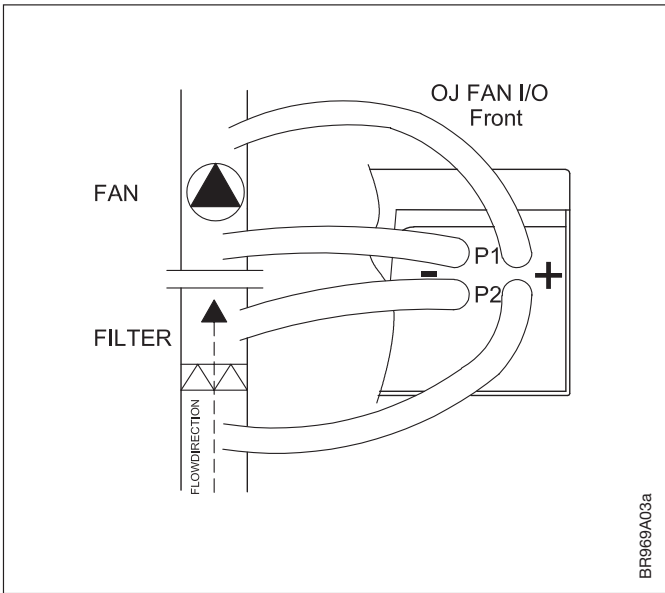


Fig. 5: Connection of Modbus and EC/FC

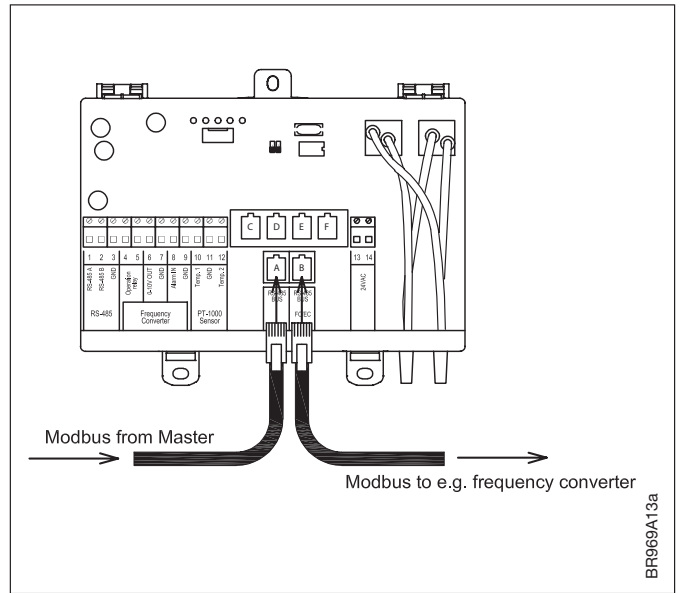


Fig. 6: Electrical connection of actuators

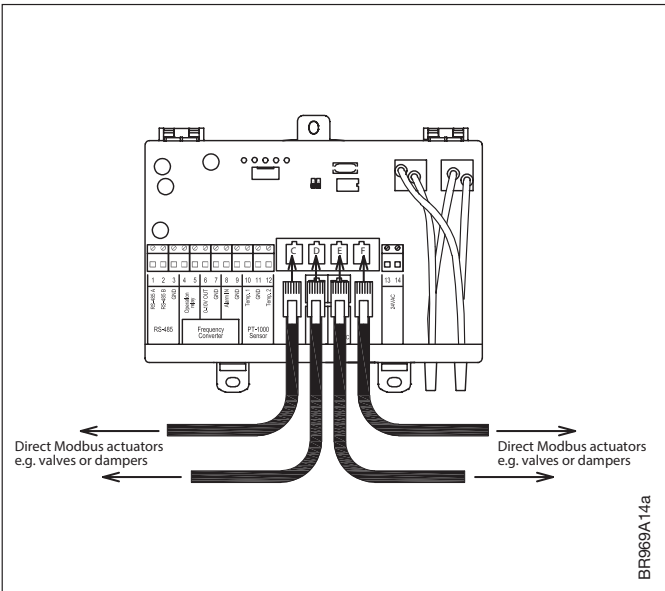


Fig. 7: Power supply

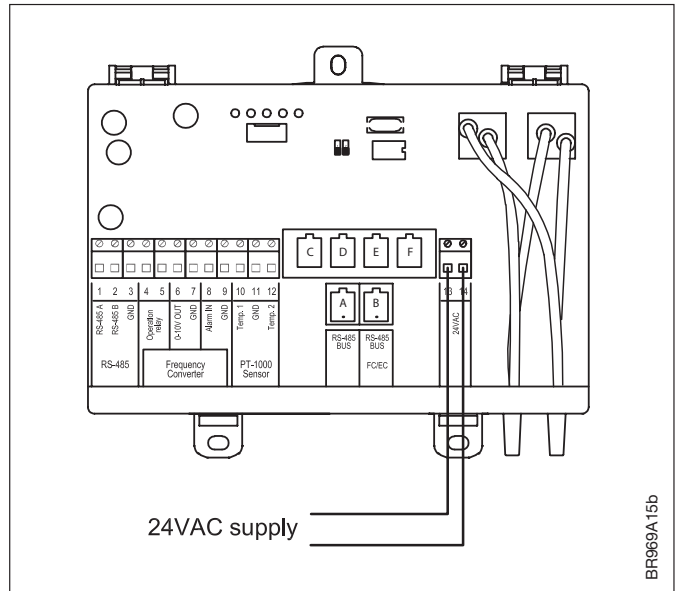


Fig. 8: Electrical connection of EC/FC

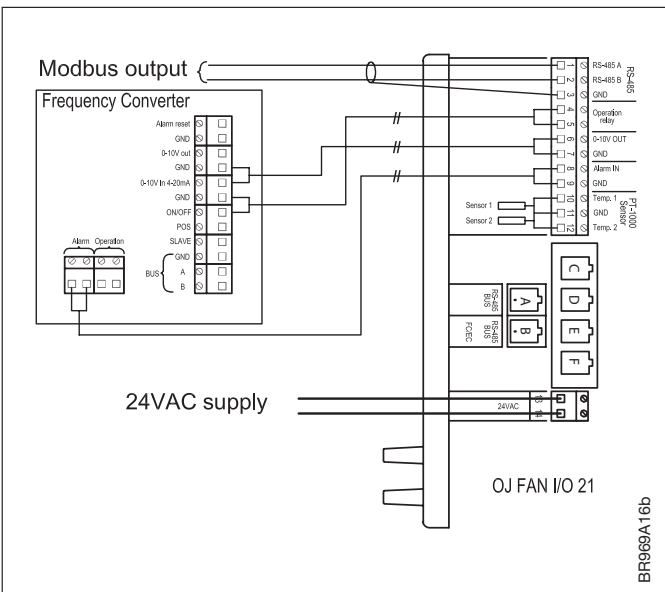


Fig. 9: Wire layout in connectors "C", "D", "E" & "F"

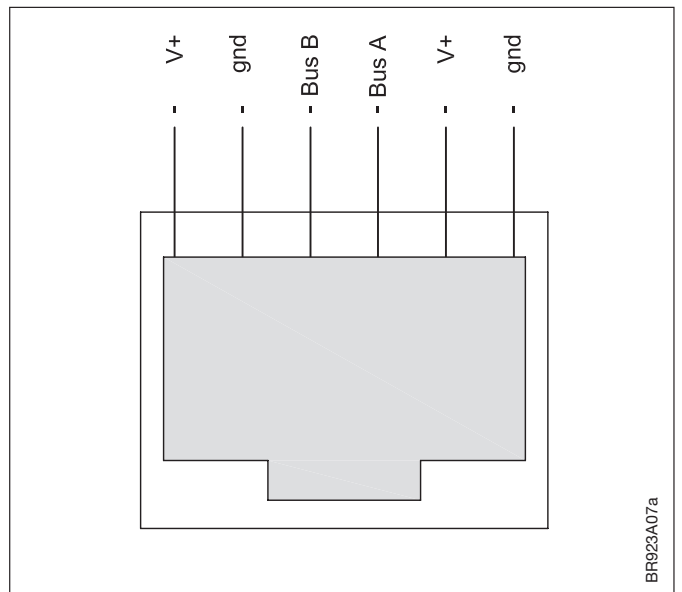
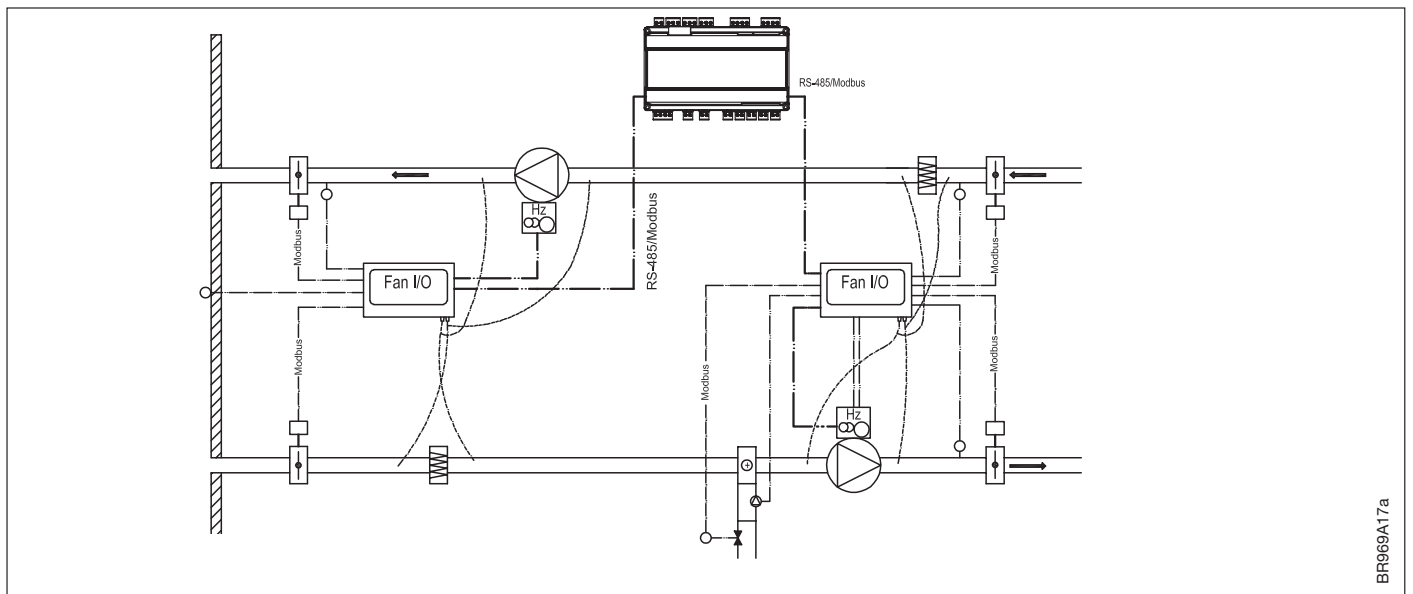


Fig. 10: Complete configuration (example)



BR969A17a

Fig. 11: Modbus addressing overview

	DIP1 OFF	DIP1 ON
DIP2 OFF	0X60 (96 DEC)	0X61 (97 DEC)

Fig. 12: Supported Modbus commands

Holding registers: 6

0x03: Read

0x06: Write Single

0x10: Write Multiple

REGISTER	ADDRESS	FUNCTION	RANGE	RESOLUTION	UNIT
1	0x0000	ExternCalibrate	0	No Calib.	-
			1	Zero Calib.	-
			2	Gain Calib.	TestMode = 0x47
			3	Fact. Reset	
			4	Heater on	
			10	Tcal 1000 Ω	
	11	Tcal 1120 Ω			
2	0x0001	FC 0-10V	0 - 10000	0.001	V
3	0x0002	Setup	0 - 65535	-	-
	Bit 0	I_ON	0 - 1	1 = ON*	-
	Bit 1	OP_RELAY	0 - 1	1 = active	-
	Bit 2	-	-	-	-
	Bit 3	-	-	-	-
	Bit 4	LED1 (RED)	0 - 1	1 = ON	-
	Bit 5	LED2 (GREEN)	0 - 1	1 = ON	-
	Bit 6	-	-	-	-
	Bit 7	-	-	-	-
Bits 8-15	Test mode	0 - 65535	0x47 = test	-	
4	0x0003	AlarmBlinkCount	0 - ?	1	-
5	0x0004	GainPressFact1	?	1	Pa
6	0x0005	GainPressFact2	?	1	Pa

* Bit 0 = "1", will activate the +24V power supply, in plug connectors marked "C", "D", "E" & "F"

Fig. 13: Supported Modbus commands

Input registers: 15

0x04: Read

REGISTER	ADDRESS	FUNCTION	RANGE	RESOLUTION	UNIT
1	0x0000	Software version	0 - ?	0.01	-
2	0x0001	Pressure sensor 1	-400 - 2500	1	Pa
3	0x0002	Pressure sensor 2	-400 - 2500	1	Pa
4	0x0003	ZeroPressDrift1	?	1	Pa
5	0x0004	ZeroPressDrift2	?	1	Pa
6	0x0005	PressureSensorTemp 1	0 - 65535	1	ADCount
7	0x0006	PressureSensorTemp 2	0 - 65535	1	ADCount
8	0x0007	Status	0 - 65535	-	-
	Bit 0	TempSensor1 Alarm	0 - 1	1 = alarm	-
	Bit 1	TempSensor2 Alarm	0 - 1	1 = alarm	-
	Bit 2	I_LIMITI_LIMIT	0 - 1	0 = limit	-
	Bit 3	SIG_FC alarm	0 - 1	1 = alarm	-
	Bit 4	DIP1 (Master/Slave)	0 - 1	1 = master	-
Bit 5	DIP2	0 - 1	?	-	
9	0x0008	Temp sensor 1	-5000 - 32767	0.01	°C
10	0x0009	Temp sensor 2	-5000 - 32767	0.01	°C
11	0x000A	TempSensLowFact1	0 - 65535	-	-
12	0x000B	TempSensLowFact2	0 - 65535	-	-
13	0x000C	TempSensHighFact1	0 - 65535	-	-
14	0x000D	TempSensHighFact2	0 - 65535	-	-
15	0x000E	VoltageReference	0 - 65535	-	-

OJ ELECTRONICS A/S
 Stenager 13B · DK-6400 Sønderborg
 Tel. +45 73 12 13 14 · Fax +45 73 12 13 13
 oj@ojelectronics.com · www.ojelectronics.com