

# OJ Drives®



## OJ DV GEN II with Local User Interface

- 0.5 - 1.1 kW / 0.7 -1.5 Hp
- 208 - 277 V single phase supply
- IM, PMSM, PMsynRM motor
- Ignition-protected
- 2" color touchscreen
- CE, UL, CSA

### OJ DV GEN II series

OJ DV GEN II is the upgraded version of our series of dedicated drives for ventilation applications. GEN II drives are fully backwards compatible with the corresponding power variants, which have the exact same mechanical dimensions and the same Modbus and BACnet protocols. GEN II drives offer excellent possibilities for customization.

### Design

The flexible installation design lets you mount the drive inside or outside the airflow. OJ DV GEN II is suitable for any system, as it can be configured specifically for your application. Adding option modules and mounting a cooling fan on the OJ DV GEN II further expands the drives' potential.

The OJ DV GEN II removable front cover design allows easy access to the connection compartment and ample space for connecting the option module cables. The cover also facilitates safe mounting on the aluminum frame, ensuring the desired sealing grade.

### Local User Interface

The built-in 2" touchscreen with color display lets users carry out basic set-up and local operation. The intuitive interface also gives access to readouts of a wide range of information. All this facilitates easy troubleshooting and swift responses to alarms.

### Control

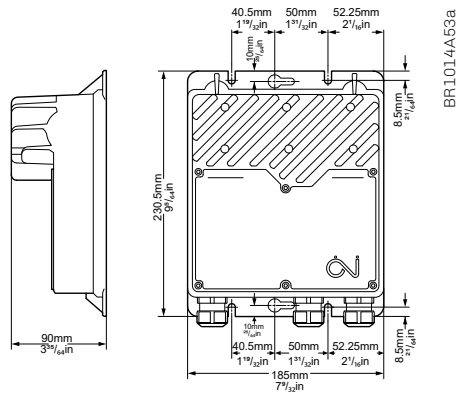
The OJ DV GEN II can be controlled using a 0–10V or a 4–20mA signal and through Modbus RTU or BACnet MS/TP. In addition, the digital input and output interfaces can be used to configure the control method.

### Grid immunity

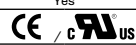
Over Voltage Detection enables these robust drives to cope with most types of grids worldwide, handling disturbances such as notches, spikes and transients.

### Built-in EMC filter

The OJ DV GEN II series comes with a fully integrated EMC filter, meeting the emissions and immunity norms for industrial and residential areas according to EN 61800-3 (C1 and C2) and FCC §47 part 15 B. and ICES-003.



Dimensions

	Type	DV-1005-xxLx	DV-1007-xxLx	DV-1011-xxLx	DV-2011-xxLx
Frame size		H1			
Power size	kW	0.5	0.75	1.1	1.1
Horsepower	Hp	0.7	1.0	1.5	1.5
Efficiency	%	> 94%			
<b>Power supply</b>					
Voltage	VAC	1 x 208-240 VAC 50/60 Hz +/-10%			1 x 208-277 VAC 50/60 Hz +/-10%
Supply current at max. load at nominal supply voltage (400V/480V)	A	3.6/3.1	5.4/4.7	7.9/6.8	7.9/5.9
Power factor (cos-phi) at max. load		> 0.99 (Active PFC)			
<b>Motor output</b>					
Nominal motor power (on shaft) *1	kW	0.5	0.8	1.15	1.15
Frequency	Hz	AC motor: 0-120   PM motor: 0-595			
Max. output voltage	Vrms	3 x 0 - 250 VAC			
Max. output current	Arms	2	3.2	4.5	4.5
<b>Protection</b>					
Max. fuse	A	16			
Short circuit capacity	A	5000			
Motor output		Short-circuit protected between phases			
Motor		Protected by current limit			
Over-voltage protection		Yes, <400V (NTC)			
Overload protection		Current and temperature overload protection			
<b>Environment</b>					
Operating temperature	°C/°F	-20°C to +50°C / -4°F to +122°F			
Storage temperature	°C/°F	-20°C to +70°C / -4°F to +158°F			
Protection rating		IP 65 / NEMA 5			
Enclosure material		Aluminium			
Front cover		Plastic (Black front cover is UV resistant)			
Weight	kg/lbs	2.0 kg / 4.4 lbs			
Humidity	% rh	10-95% rh, non-condensing			
Surface		Corrosion resistant according to EN/ISO 9223 Class 4			
Air flow / cooling		Turbulent air speed of min. 3 m/s or 9.84ft/s to achieve max. output power at max. ambient temperature. Turbulent air speed below 3m/s or 9.84ft/s and higher ambient temperature might lead to reduced output power. (3m/s or 9.84ft/s turbulent air speed is equivalent to 6.5m/s or 21.32ft/s laminar air speed)			
<b>Interfaces</b>					
Field bus		Modbus RTU , BACnet MS/TP			
Analogue Inputs		1 input 0-10 VDC 4-20mA PWM			
Analogue Output		1 output +10 VDC or +24 VDC			
Digital Inputs		2 inputs Internal pull-up to +24VDC			
Digital Output		1 output Open collector, Internal pullup to +10 VDC or +24 VDC			
Status LED		Green/yellow/red			
User interface		2 inch color resistive touch			
<b>Features</b>					
Technology		Sinusoidal back-EMF signal controlled via FOC (Field Oriented Control)			
Software updating		Yes, via serial interface			
Motor parameters		Preprogrammed by OJ or on-site configuration			
Short-circuit protection		Yes			
Integrated EMC filters		Yes			
<b>Approvals</b>					
EMC		EN/BS 61800-3 (C1 & C2) / FCC §47 part 15 B. and ICES-003			
LVD		EN/BS 61800-5-1 / UL 61800-5-1			
Product standard		IEC/BS 61800 Part 2			
North America *2		UL-61800-5-1 / CS22.2. No. 274			
Ignition-protected components		IEC/UL60335-2-40, cl.22.116 & cl.22.117 / UL 121201 Class1, Div2			
Overvoltage category		III			
Pollution degree		2			
Altitude		1000 m / 3280 ft: Without derating and 2000 m / 6560 ft: With 1% derating per 100 meter/328 ft. above 1000 meter / 3280 ft.			
Supply earthing system		TN / TT / IT			
RoHS Directive		Yes			
Product approvals					

Note: Data are valid at: nominal supply voltage, +25°C or +77°F and sufficient air flow  
 \*1: Motor Power Factor = 0.8 and efficiency = 90%  
 \*2: Only available with black front cover